

## STAGING THE FIRE WITHOUT WASTING ENERGY

### Thermal comfort

- > operates either as an open fire or as a glass-door stove
- > heats in 2 different ways: direct radiation and natural convection
- > the partial opening of the glass door enables open-fire operation without any risk of draughtback, even if the atmospheric conditions are unfavourable or if the draught of the chimney is insufficient when fully opened
- > outside air inlet directly beneath the stove

### Performances, respect for the environment

- > excellent efficiency supported by EN standard (75% on average with glass door closed)
- > tax benefits (according to country and/or area)

### Aspect

- > wide view of the fire
- > sober lines will suit any interior style
- > various models: narrow, wide, extra-wide, square, high...
- > double-face models
- > many possibilities of integration: architectural, in low volumes, in old fireplaces
- > the mechanism and the runners are never visible even with the glass door open.
- > no bottom runner on lower edge of glass door
- > hearth opening can be placed level with floor
- > many optional claddings (see chapter "claddings & front panels")
- > a decorative frame to mask hearth angles is available (3 sides)

### Ergonomics, maintenance

- > stain-reducing system for glass door
- > glass door tilts forwards for easy cleaning

photo by Jean-Luc Laloux – Rétroctoire du Maigre (18th century) at the Abbaye d'Aulne in Thuin, Belgium



## Installation & maintenance

- > easy to install and to position
- > all mechanical components remain easily accessible very quickly even when stove has been walled-in
- > heat can be routed to an adjacent room –if necessary– with an auxiliary ventilation unit
- > optional very silent auxiliary ventilation unit
- > partial raising of glass door can compensate for insufficient draught
- > 5-year guarantee

## Optional barbecue

- > healthier cooking
- > faster: no need to wait for glowing embers
- > fits in a couple of seconds even on a burning fire
- > dripping pan to collect grease

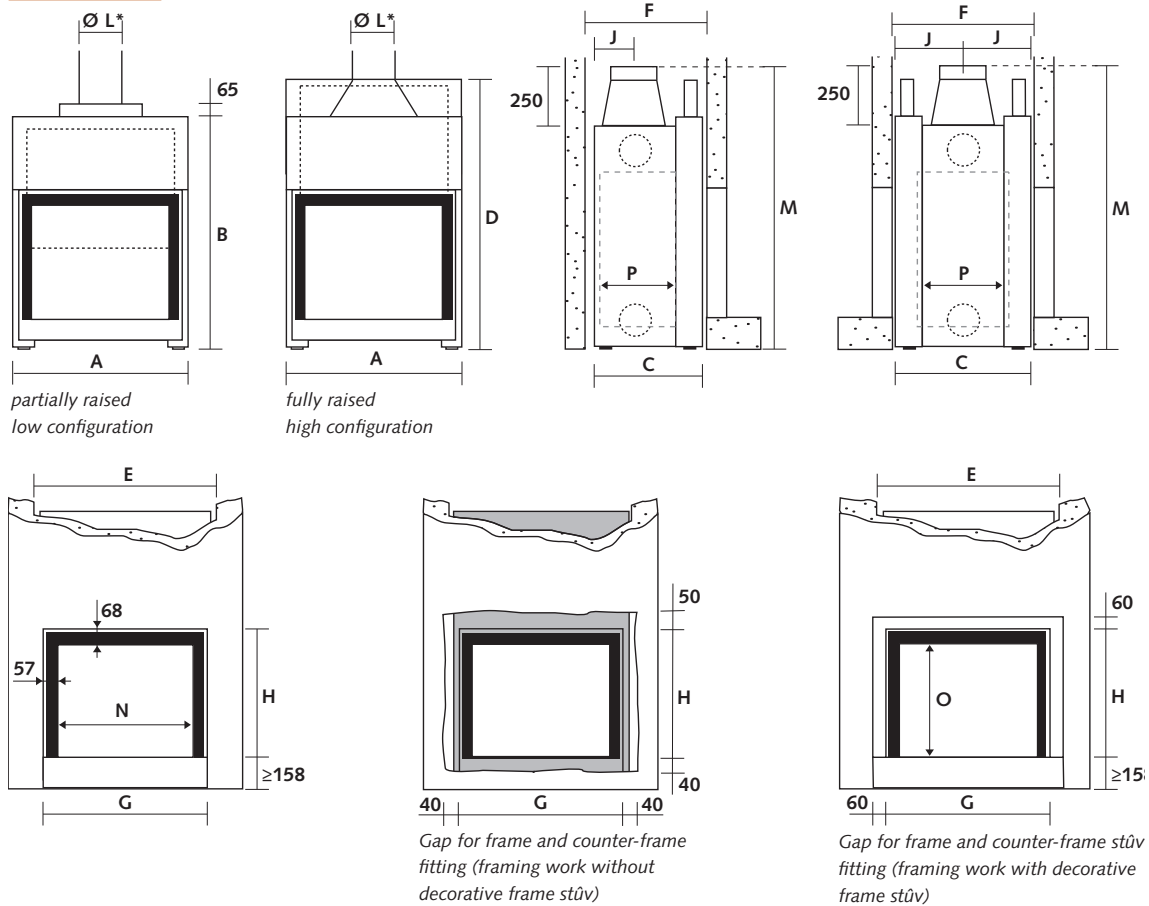
## Decorative claddings

- > avoid recess work
- > avoid decoration work
- > shorten installation time
- > integrate log storage
- > can be taken away when moving house
- > unique shape
- > available pre-painted (to be painted in the colour of your choice), in rust colour, anthracite grey and white



The stûv 21 is protected by many patents.

## Dimensions



	A	B	C	D	E	F	G	H	J	L*	M	N	O	P	
single face	stûv 21/65H high	650	1225	490	1455	660	510	584	683	196	200	1430	470	615	281
	stûv 21/75	750	1005	490	1137	760	510	684	524	186	180	1211	570	456	281
	stûv 21/85	850	1115	540	1295	860	560	784	603	201	200	1320	670	535	331
	stûv 21/95	950	1225	590	1455	960	610	884	683	221	250	1430	770	615	381
	stûv 21/105**	1050	1040	496	-	1060	515	984	469	201	200	1245	870	400	288
	stûv 21/125	1250	1115	563	1295	1260	585	1184	603	221	300	1320	1070	535	354
stûv 21/135**	1350	1040	500	-	1360	515	1282	469	203	250	1245	1170	400	291	
double face	stûv 21/75 DF	750	1005	670	1136	760	685	684	524	336	250	1211	570	456	430
	stûv 21/85 DF	850	1115	670	1295	860	685	784	603	336	250	1320	670	535	430
	stûv 21/95 DF	950	1225	670	1455	960	685	884	683	336	250	1430	770	615	430
	stûv 21/125 DF	1250	1115	670	1295	1260	685	1184	603	336	300	1320	1070	535	430

\* Standard smoke exit diameter; other cross-sections are available. Please consult stûv.

\*\* The stûv 21/105 & 21/135 are only available with full-rise of glass door.

Please note: the dimensions shown do not take into account the space required for insulation for when the stove is fitted in a combustible material.

## Technical data

	A	B	C	D	E	F	G	H	I	J	K	L	M(a)	M(b)	M(c)	M(d)	N	O	P	
single face	stûv 21/65H high	197	8 – 13	12	78	0,06	13	2,3-3,7	50	33	12	9,6	329°	12	12	0	8	100	104	A
	stûv 21/75	182	8 – 11	10	80	0,07	26	2,2-3,1	50	50	12	7,8	283°	13	13	0	9	100	107	A+
	stûv 21/85	234	8 – 14	13	78	0,08	22	2,3-4,0	50	50	12	10,3	293°	13	13	0	11	100	104	A
	stûv 21/95	292	10 – 18	15	76	0,09	18	2,9-5,3	50	60	12	12,8	304°	9	13	0	11	200	101	A
	stûv 21/105	224	7 – 19	19	84	0,09	15	1,9-5,1	80	33	12	12,6	242°	14	15	1	18	100	113	A+
	stûv 21/125	305	11 – 23	21	76	0,10	22	3,2-6,6	100	50	12	18,2	323°	11	15	0	10	200	101	A
	stûv 21/135	286	11 – 21	20	76	0,08	64	3,4-6,2	100	33	12	17,9	329°	17	15	0	20	200	101	A
double face	stûv 21/75 DF	187	9 – 19	19	75	0,08	30	2,8-6,1	50	-	12	16,4	344°	-	14	0	13	200	100	A
	stûv 21/85 DF	236	11 – 21	22	75	0,06	15	3,3-6,3	60	-	12	17,2	368°	-	15	0	11	200	100	A
	stûv 21/95 DF	297	12 – 27	22	76	0,05	31	3,6-8,0	70	-	12	20,9	375°	-	15	1	0	200	101	A
	stûv 21/125 DF	310	14 – 27	27	72	0,21	31	4,3-8,3	100	-	11	33,2	251°	-	13	1	13	200	95	A

conforms to the standard EN 13229 **CE**

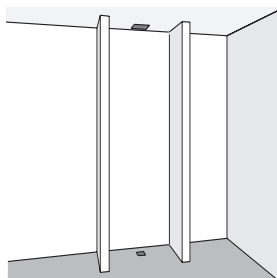
patent nr 1445541

- A unit mass (kg)  
 B optimal range of use (kW)  
 C rated-power efficiency (kW)  
 D efficiency measured at rated power (%)  
 E CO emissions (%)  
 F fine particle emissions (mg/Nm<sup>3</sup>)  
 G range of wood consumption / hour at 12% humidity (as an indication) (kg/h)  
 H length of the wood logs in cm (horizontally)  
 I length of the wood logs in cm (vertically)  
 J minimum draught needed to reach calorific rated power (Pa)

- K weight-flow ratio of smokes (g/s)  
 L mean smoke temperature at rated power (°C)  
 M minimum insulation thickness (in cm) between potentially combustible materials and  
 a the back part of the stove  
 b the sides of the stove  
 c the top part of the stove  
 d the bottom part of the stove  
 N minimum section of combustion air feed from an outer opening (cm<sup>2</sup>)  
 O energy efficiency index (EEI)  
 P energy efficiency class

## Installation

The stûv 21 has been designed to insert into the masonry. We recommend to interrupt the chimney duct at ceiling level, and connect the stove with a prime-quality stainless steel flue, rigid if possible. Then warm air blowing ducts are installed and the chimney mantel is built around the fireplace. Two walls can be built on either side of the fireplace, so that only the front part needs to be closed.

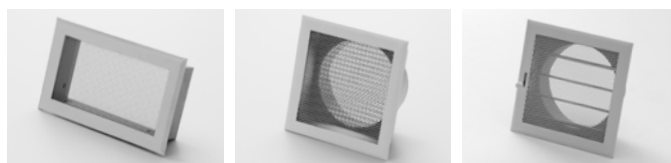


## Fresh air intake

Minimum 100 to 200cm<sup>2</sup> (see table above) at the base of the stove. A register will shut off air supply when the stove is not in use.

## Warm air

Depending on the model, up to eight duct openings, 145 mm in diameter, distribute hot air. At least two should be connected. They can be used to supply neighbouring rooms. If the heat ducts are long, it is a good idea to boost the effects of natural convection using a fan system. You can choose the position of the warm air outlet ducts: on top, at the back, or at the side.



Single position inlet  
or outlet mesh

200x200mm inlet or  
outlet mesh for Ø150mm

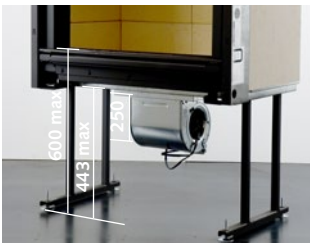
Dual position  
inlet or outlet mesh



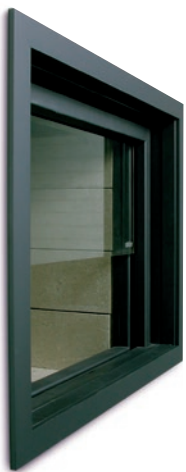
*stûv 21/85 with total raising of glass door (standard configuration): full raising puts the door completely out of sight. The deflector is shaped to improve draught.*



*stûv 21/85 with partial raising of glass door when installation height is limited.*



*A support, available as an option, makes it easy to fix the height of the fireplace.*



*4-Sided frame and counter-frame lacquered in anthracite grey to mask masonry angles around the hearth and give it some fullness. Available as a 3-sided frame for stoves flush-fitted to the floor.*

## Auxiliary ventilation unit

A high-capacity mechanical ventilation unit supplements natural ventilation for a significantly improved stove performance. It pulsates the required quantity of air with slow-spinning and thus quiet fans.

Three possibilities:

- > a 600m<sup>3</sup>/h ventilator fitted under the hearth and accessible from inside the hearth (except for the model 21/65C).
- > two side ventilators (2 x 200m<sup>3</sup>/h)
- > one independent 600m<sup>3</sup>/h ventilator to be installed in an adjacent room.



*ventilator (600 m<sup>3</sup>/h)*



*side ventilators (2 x 200 m<sup>3</sup>/h)*



*independent ventilator (600 m<sup>3</sup>/h)*

## Other available accessories...



*insulating kit Promafour® 400*



*straight and deflected ducts, accessories for connecting to the stove and floor*

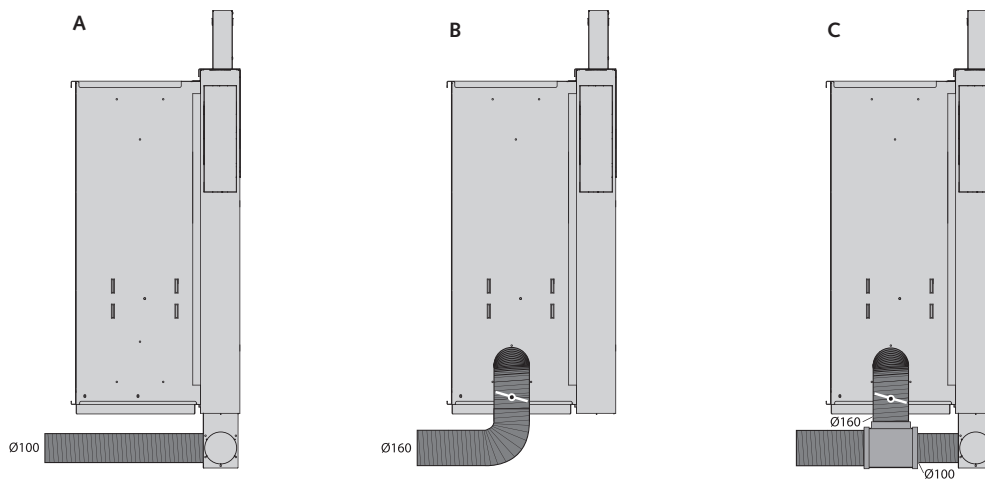


*barbecue grill*

## Control of the air inlet

The air control of your stûv 21 varies depending on installation. The compensation air inlet (Ø 160 mm) and the combustion air inlet (Ø 100 mm) will ideally be fitted with a valve enabling adjustment of their opening.

## Three configurations

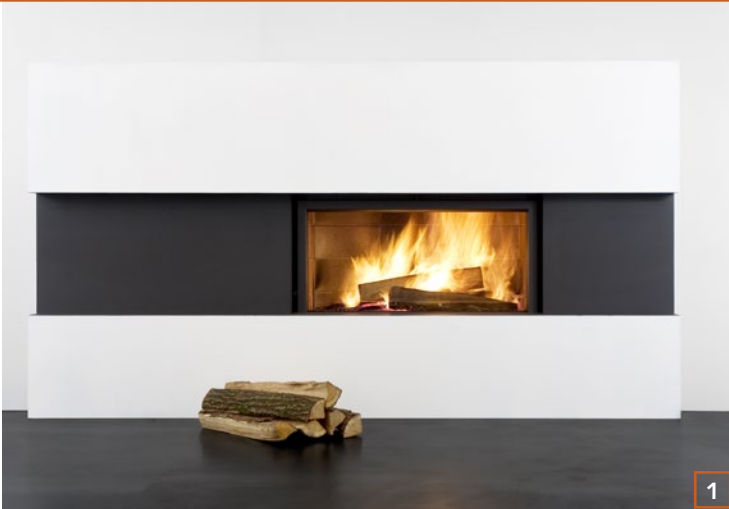


	combustion air	compensation air	combustion air + compensation air
<i>recommended in</i>	well insulated houses, fitted with mechanically controlled ventilation	traditional houses	low energy houses and more
<i>benefits</i>	option of use with a fan, easy to use	use without fan	option of use with a fan, control of compensation air
<i>restrictions</i>	ensure the control of compensation air in open fire mode with room air	in accordance with certain regulations (France, Italy, ...) ensure the control of combustion air and compensation air with the valve	in accordance with certain regulations (France, Italy, ...) control of the valve only in open fire mode



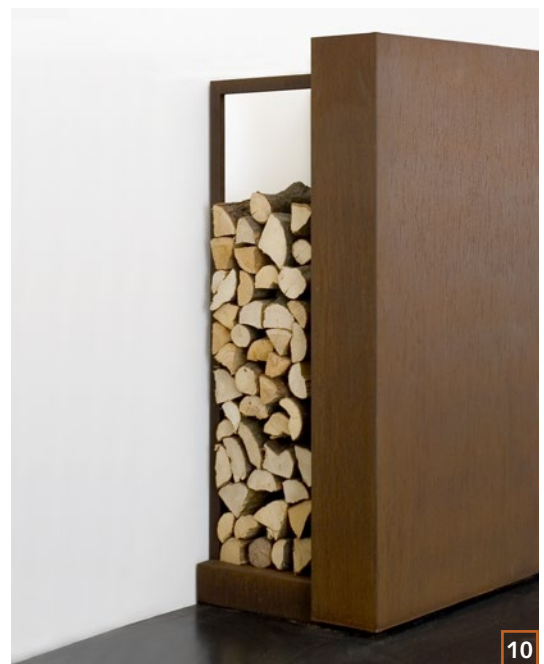
READY-TO-FIT FIREPLACES & FACADES...

21  
stuv





cover > stův 21/85 + rusty SF2 cladding with log-rack 1 > stův 21/105 + black SF8 cladding 2 > stův 21/65H + SF6 cladding (+ orange painting) 3 > stův 21/65C + white SF3 cladding 4 > stův 21/85 + rusty SF4 cladding 5 > stův 21/85 + asymmetrical cladding RAL9010 (pic by F. Chevalier) 6 > stův 21/85 DF + white DF7 cladding (installation by Ofenbaule - pic. by O. Szczepaniak) 7 > stův 21/85 + white SF5 cladding 8 > stův 21/65C + rusty SF3 cladding on masonry base (installation by Decosud - pic. by Decosud) 9 > stův 21/85 + white SF2 cladding element 10 > rusty SF2 cladding: detail of log-rack



### Advantages...

- > Ready-to-fit fireplaces and facades allow the stûv 21 to be installed where no recess is available for walling-in.
- > They can thus make masonry and decoration work unnecessary.
- > Ready-to-fit fireplaces and facades are very much like a piece of furniture... One can even take them away when moving house.
- > They include –like other stûv products– interesting functionalities such as air outlets, log racks,...
- > Also available in this range of facades which can complement masonry work, give an added finishing touch, and give the fireplace a more perceptible presence in the room.



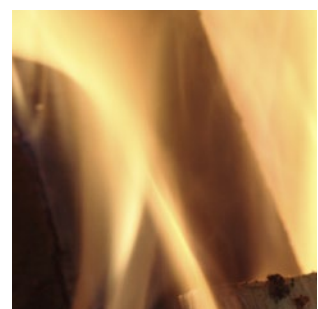
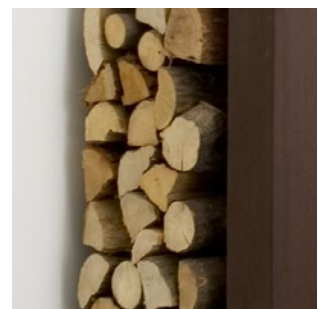
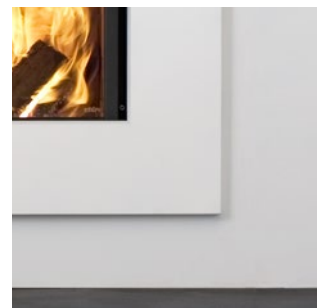
### Finishes...

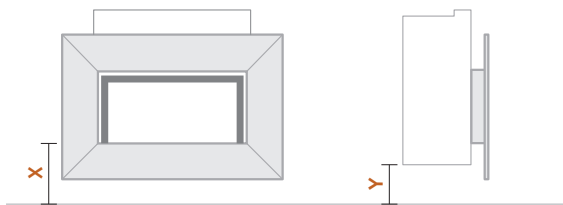
Most of the claddings contained in this brochure are available in various finishes:

- > in 19 colours
- > in rusty metal: the metal is left to oxidize under the Belgian rain. The oxidation process is then permanently stopped. No two claddings look the same, every one has a unique finish! It is then quite probable that the unit delivered to a customer has a slightly different shade or texture than the one seen in the showroom.
- > coated with a high-resistance primary paint (2 components) that you can paint in the colour of your choice. To do this, stûv recommends the use of a synthetic paint resistant to high temperatures.
- > option of ordering tailor-made frames and facades

### Maintenance...

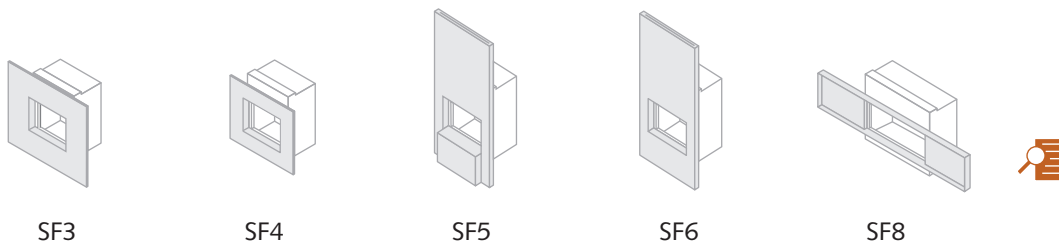
- > A wipe with a damp cloth is sufficient.
- > For the rust-coloured cladding, it is worth applying the product recommended by stûv once or twice a year.





The sizes of the ready-to-fit fireplaces and facades can be found on the following pages. Taking into account X (minimum distance between the floor and the bottom of the stove opening) and Y (minimum distance between the floor and the bottom of the stove) a fan system can be installed under the stove.

## Front panels



SF3

SF4

SF5

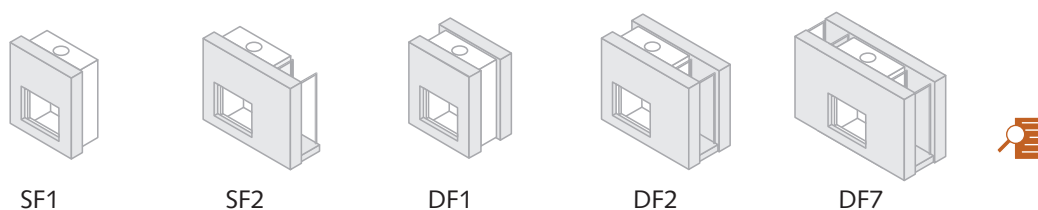
SF6

SF8

### Single-face models

21/65H	-	X	-	X	-	16
21/75	-	X	X	X	-	18
21/85	X	X	X	X	-	21
21/95	X	X	X	X	-	24
21/105	-	X	X	-	X	27
21/125	-	X	X	X	-	29
21/135	-	X	-	-	-	32

## Ready-to-fit fireplaces



SF1

SF2

DF1

DF2

DF7

### Single-face models

21/65H	-	-	-	-	-	16
21/75	X	X	-	-	-	17
21/85	X	X	-	-	-	20
21/95	X	X	-	-	-	23
21/105	-	X	-	-	-	26
21/125	X	X	-	-	-	27

### Double-face models

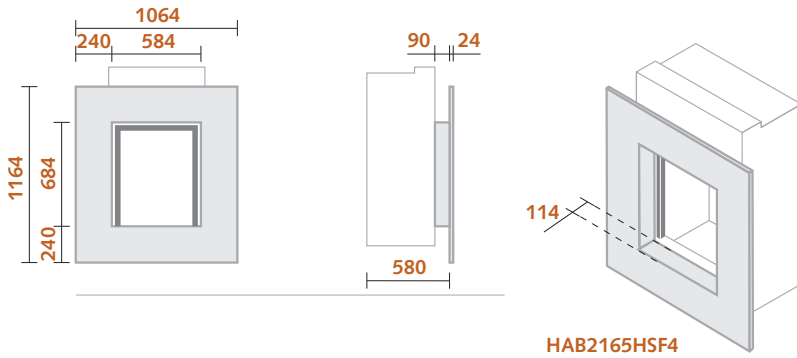
21/75	-	-	(X)	(X)	-	19
21/85	-	-	-	X	X	22
21/95	-	-	(X)	(X)	-	25
21/125	-	-	X	X	X	30-31

X = claddings available in white, anthracite black, primer-coated and rusty

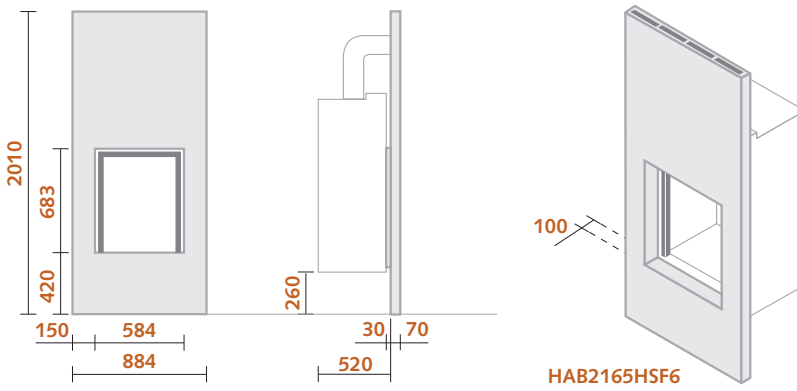
(X) = claddings only available in rusty finish

- = not available

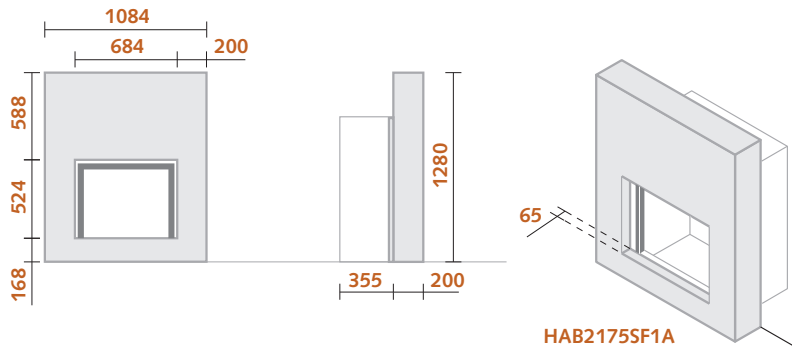
SF 4



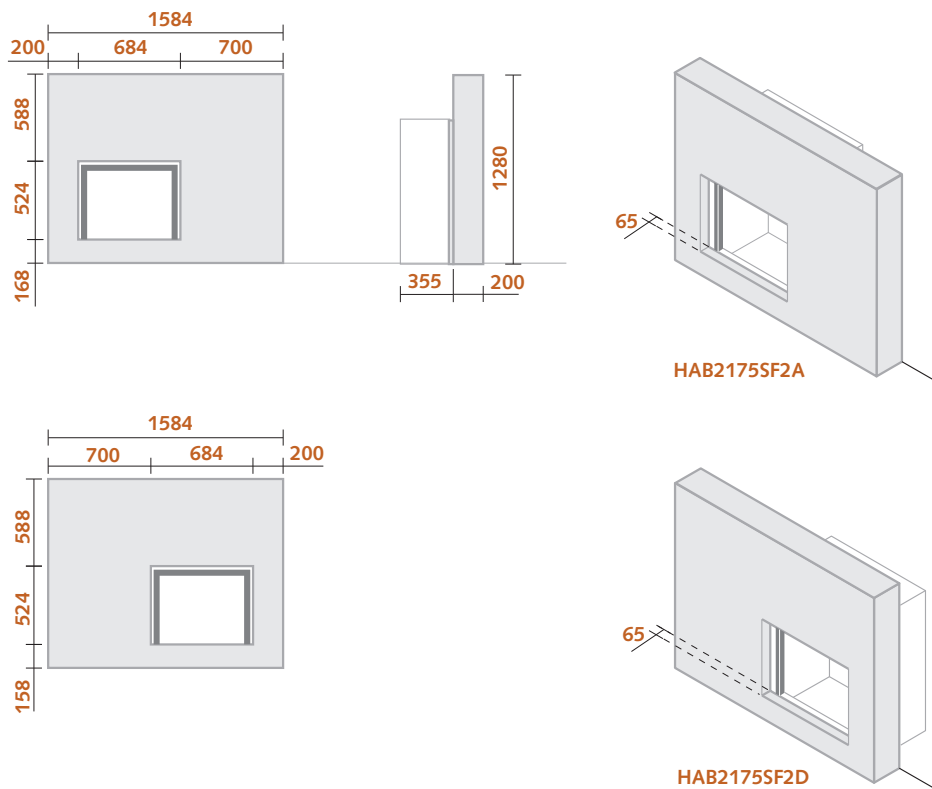
SF 6



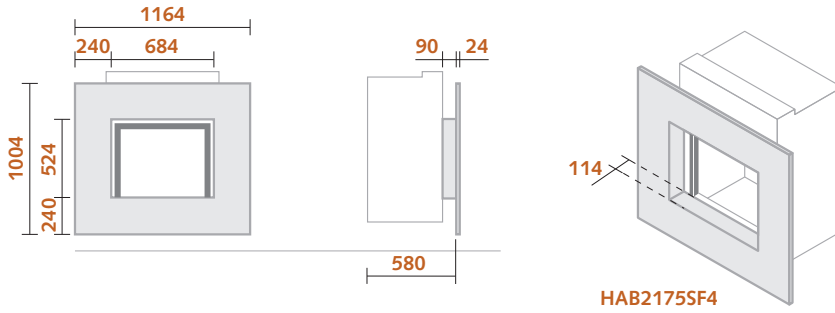
SF 1



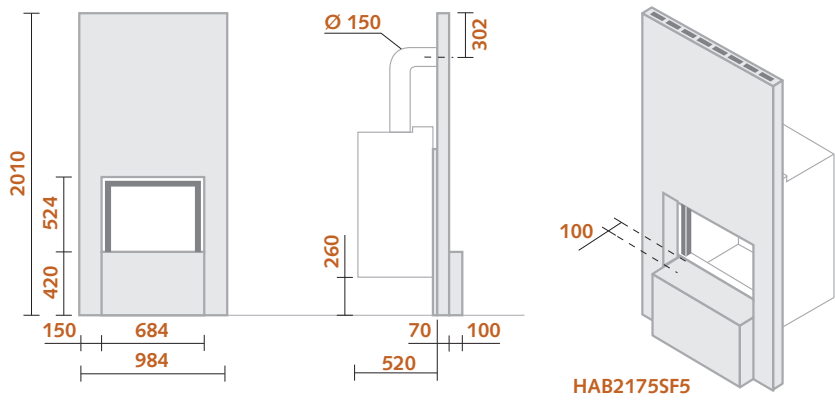
SF 2



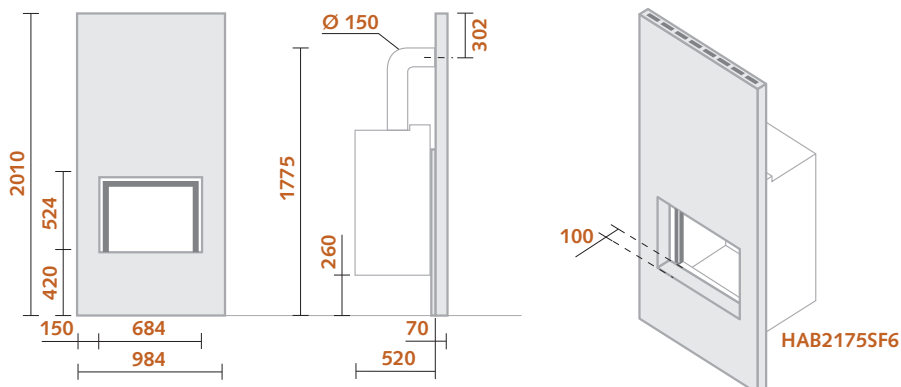
## SF 4



## SF 5



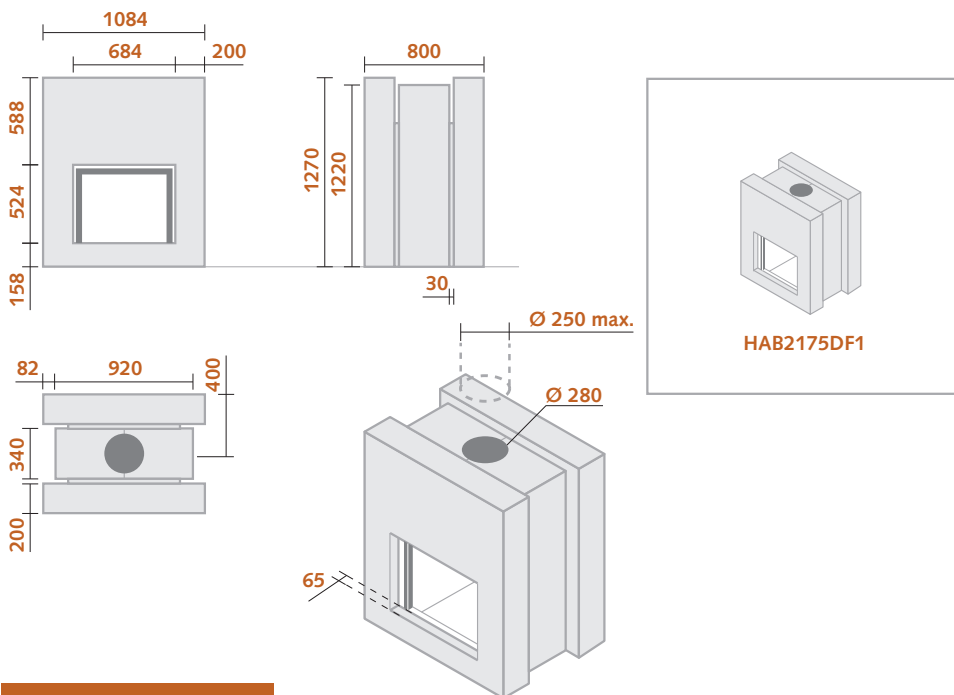
## SF 6



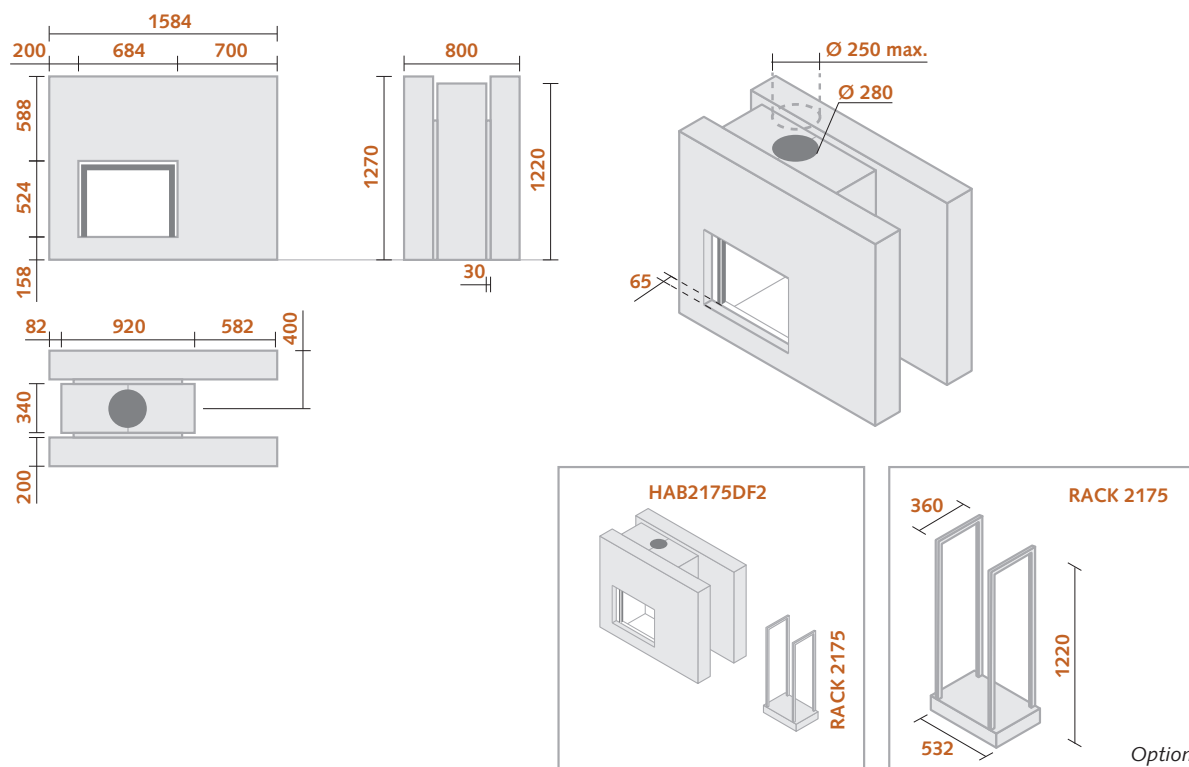


**DF 1**

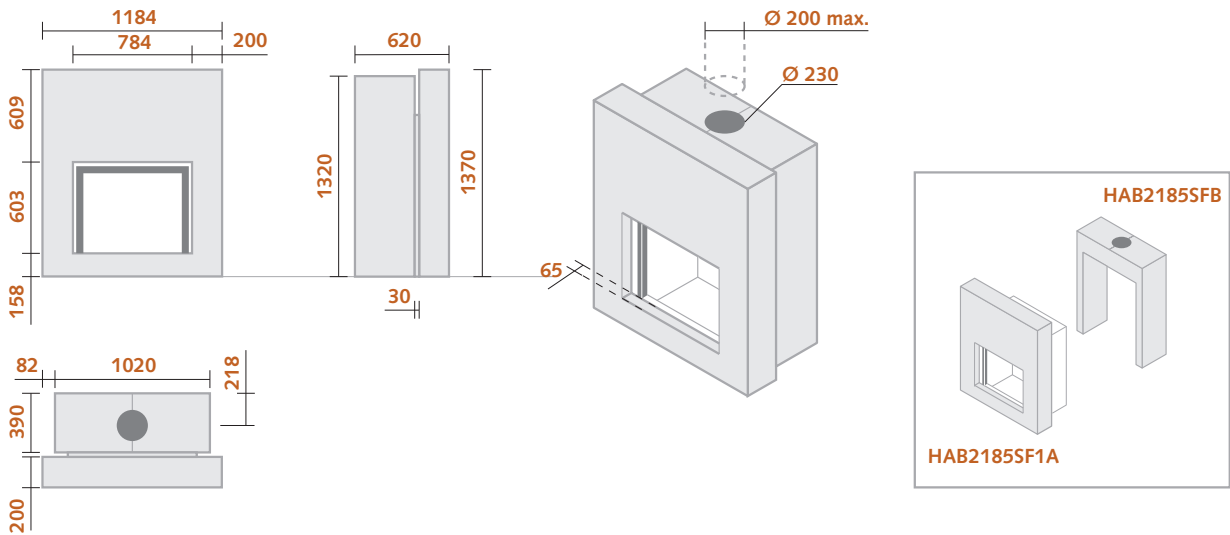
«Tailor-made» option



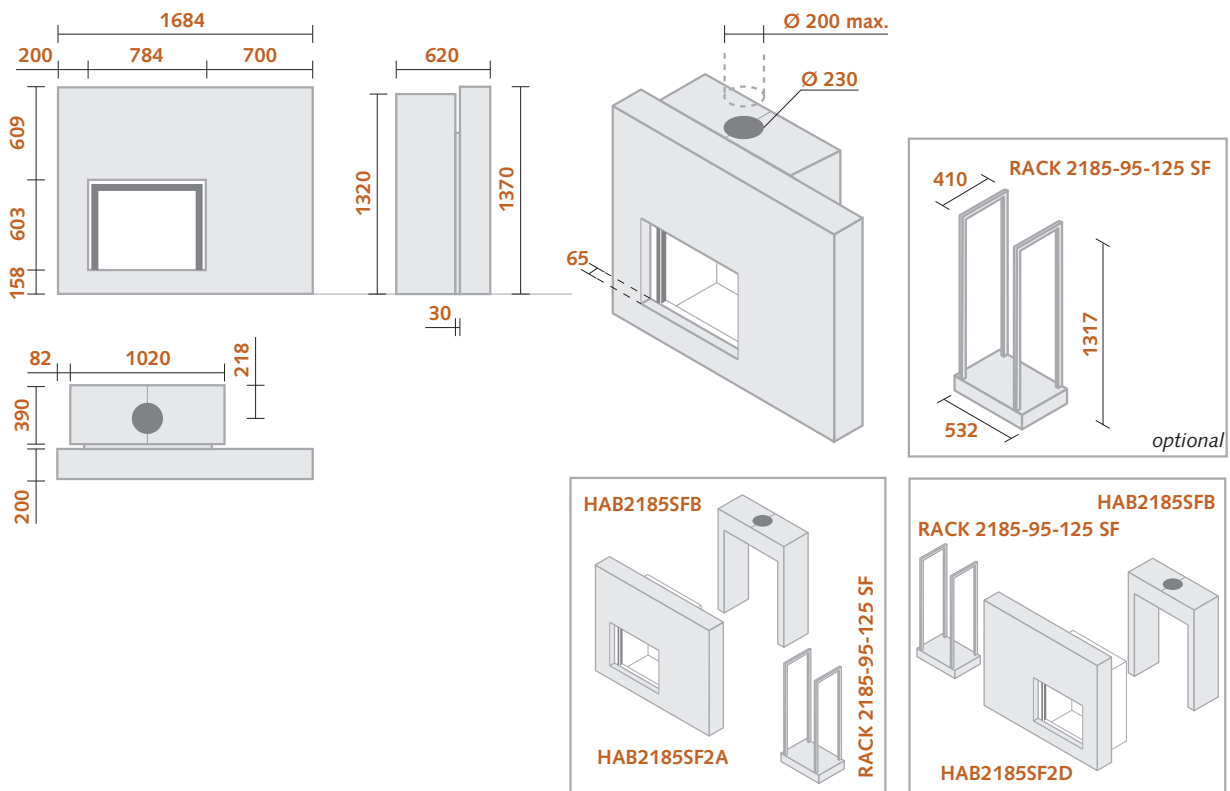
**DF 2**



## SF 1

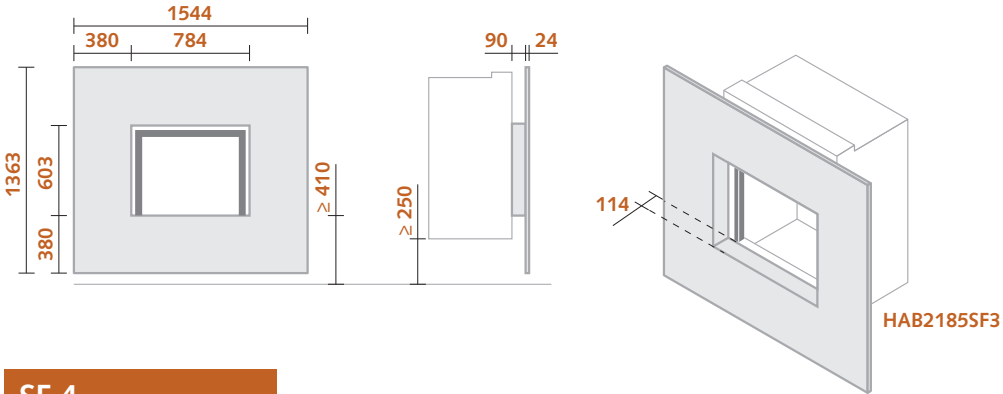


## SF 2

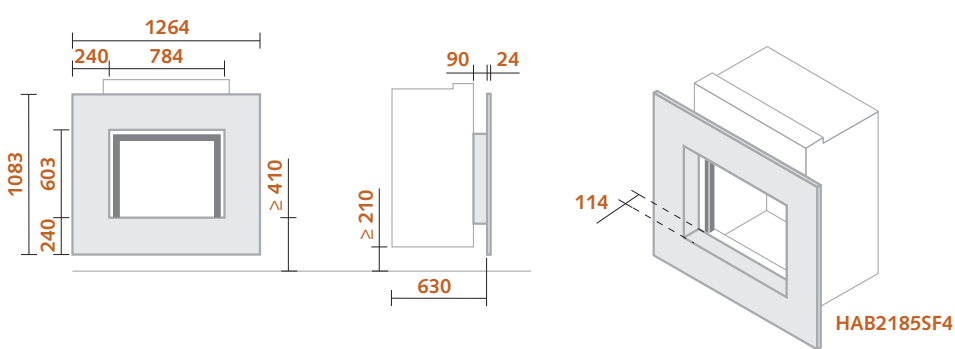


SF 3

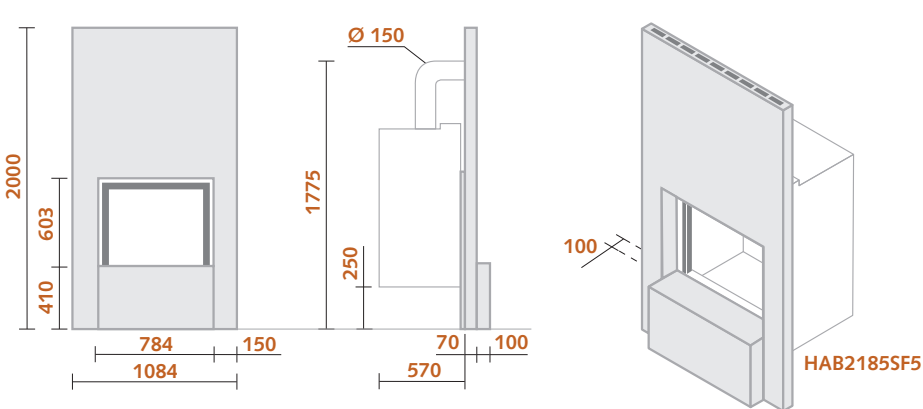
«Tailor-made» option



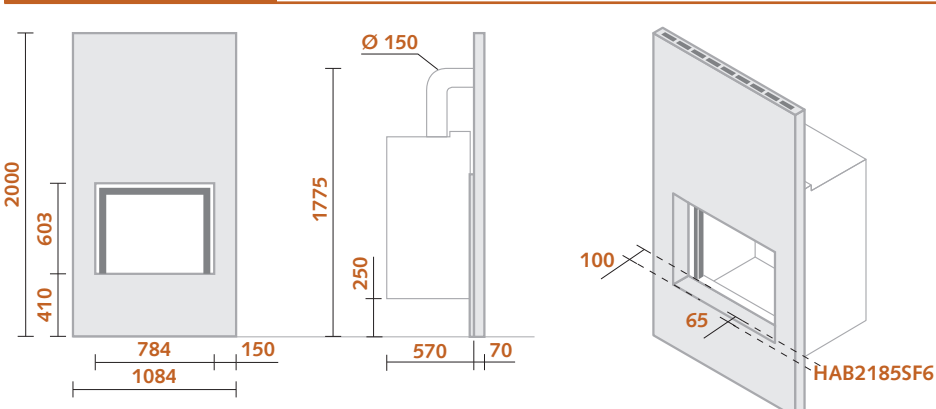
SF 4



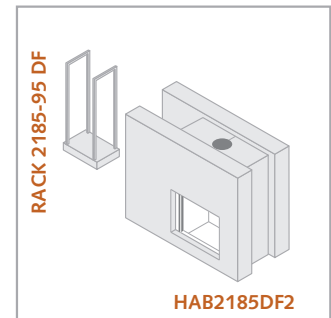
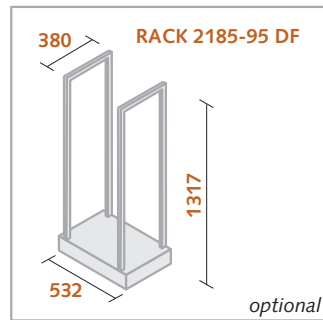
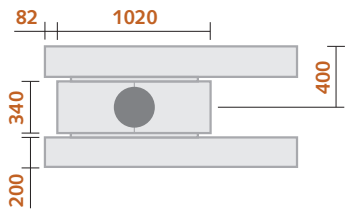
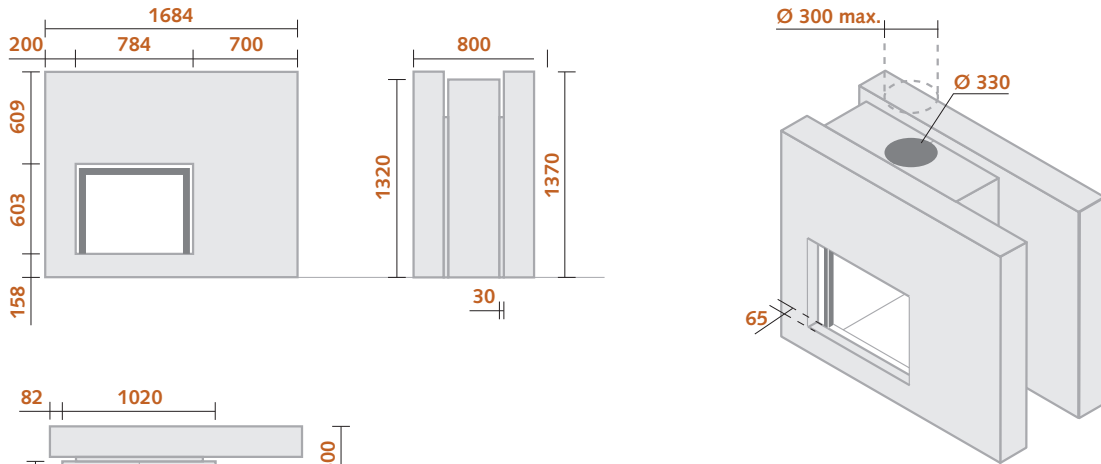
SF 5



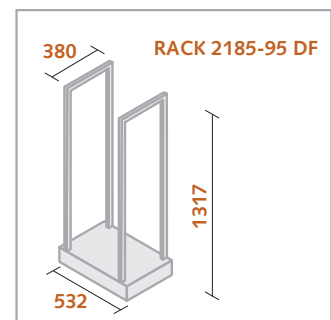
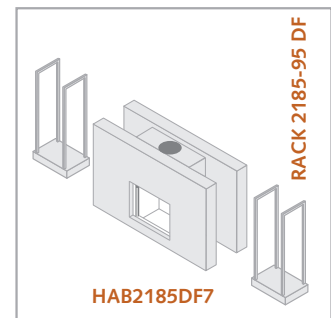
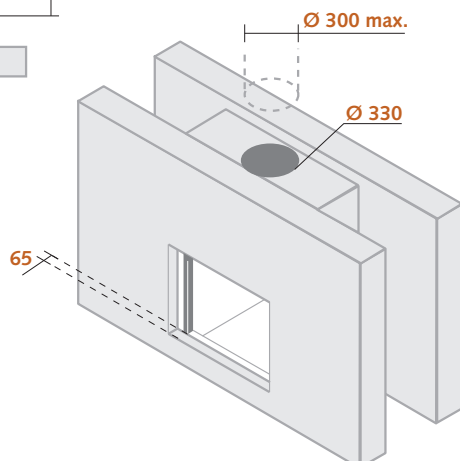
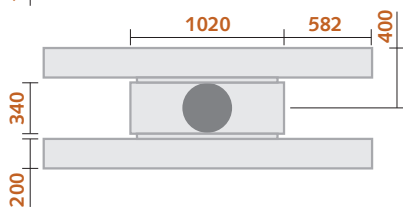
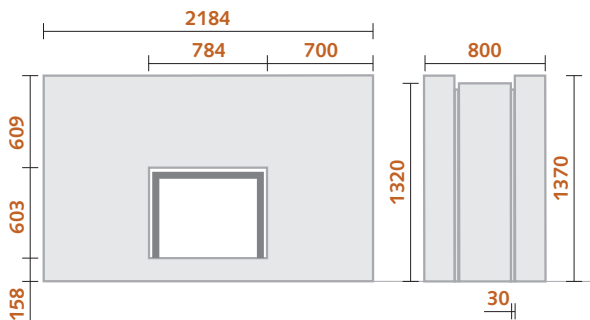
SF 6



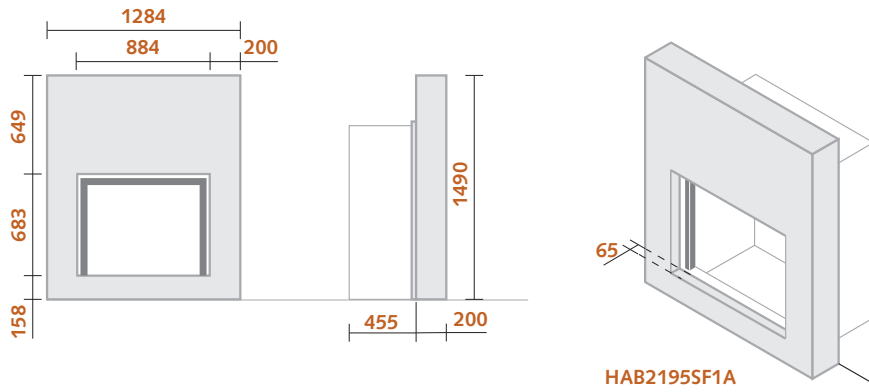
## DF 2



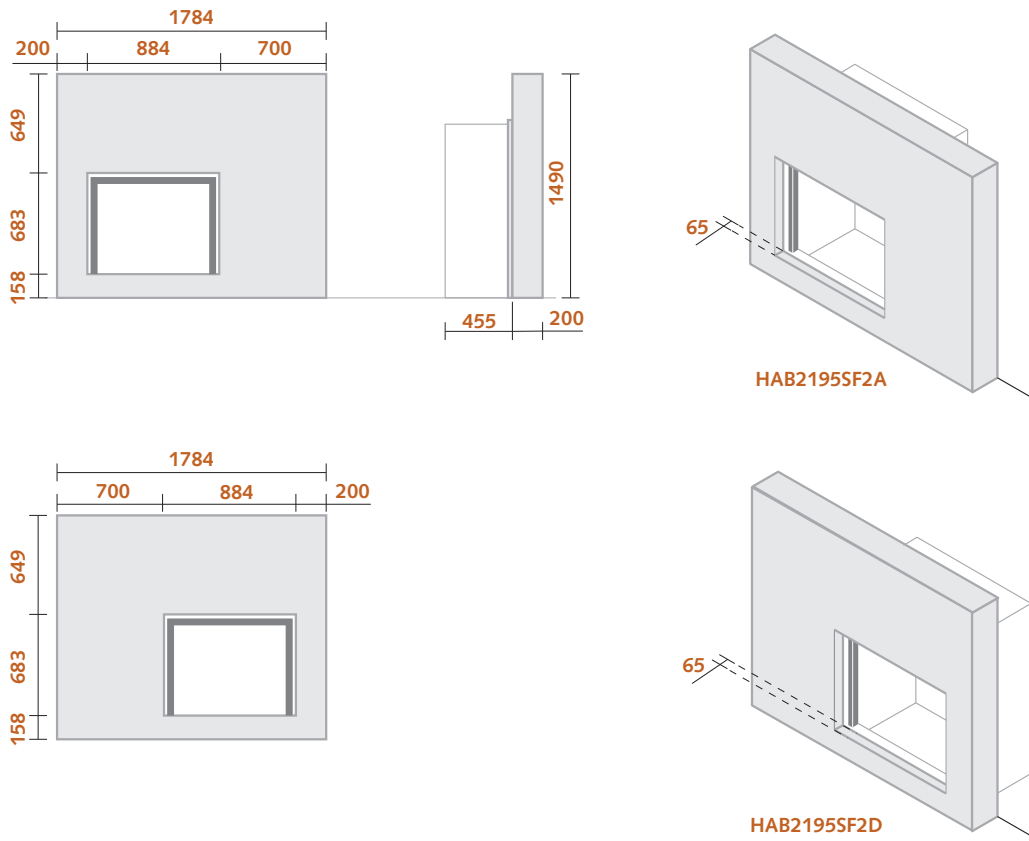
## DF 7



SF 1

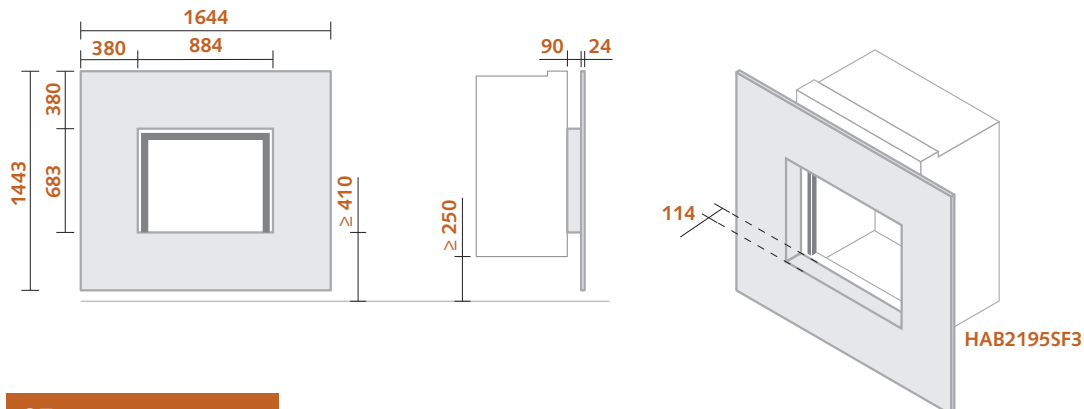


SF 2

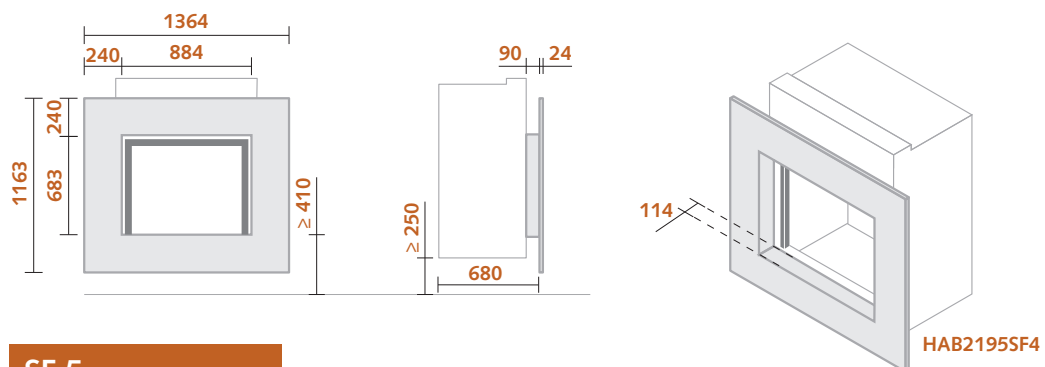


## SF 3

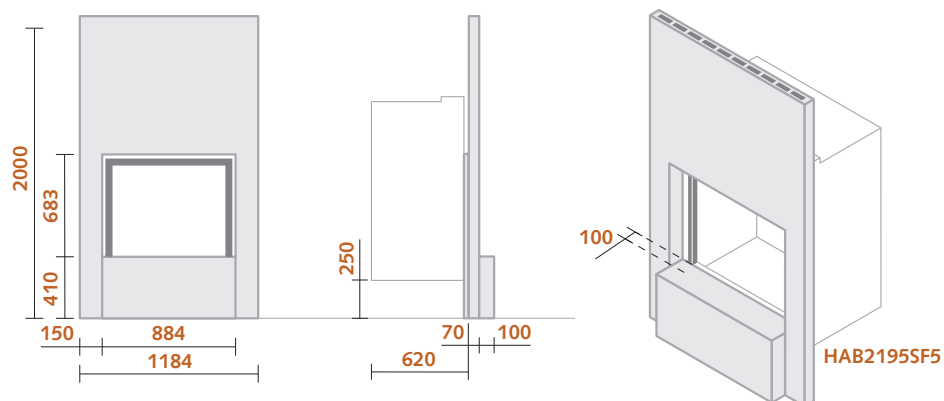
«Tailor-made» option



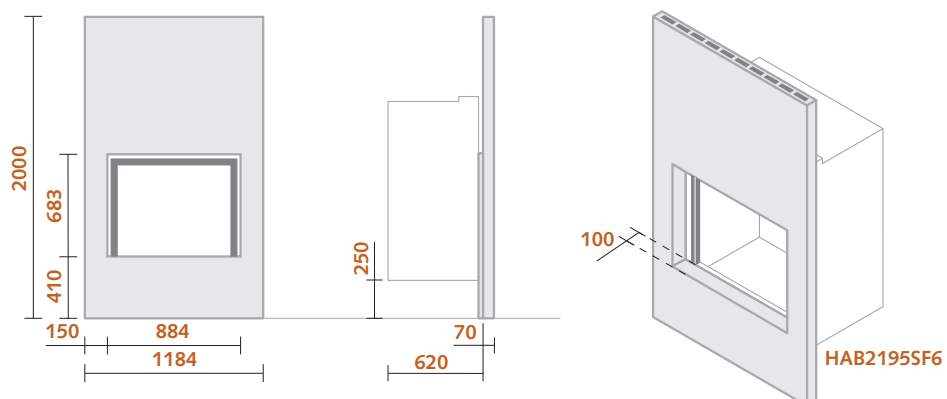
## SF 4



## SF 5

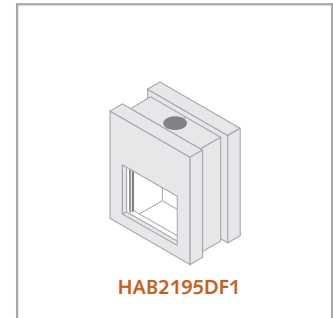
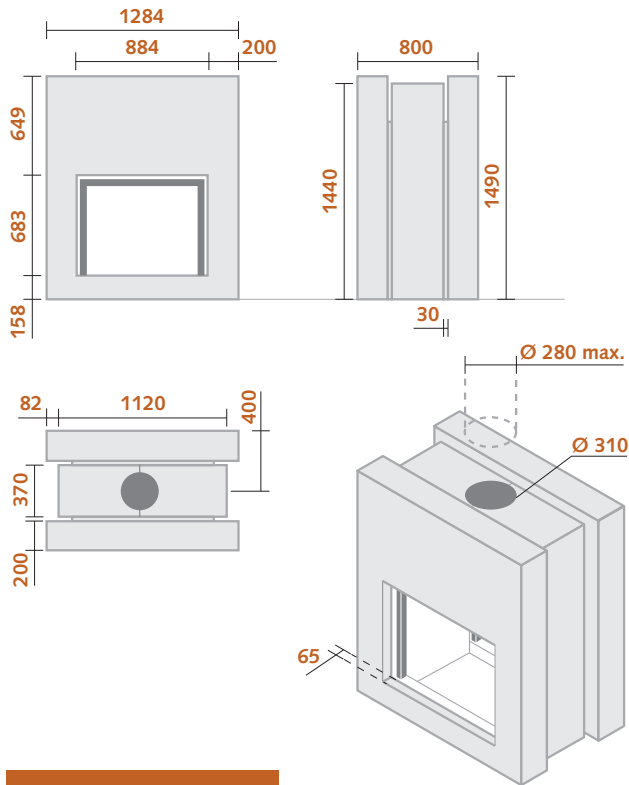


## SF 6

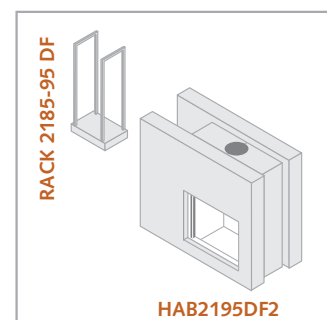
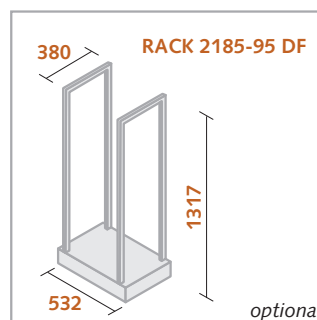
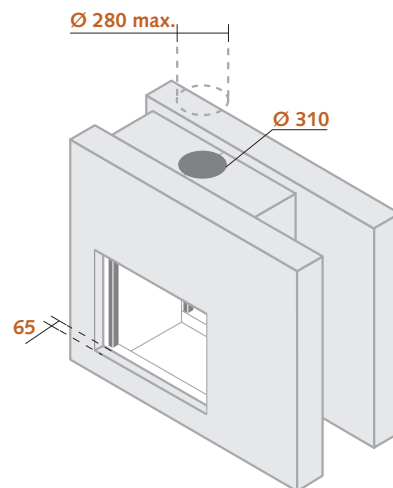
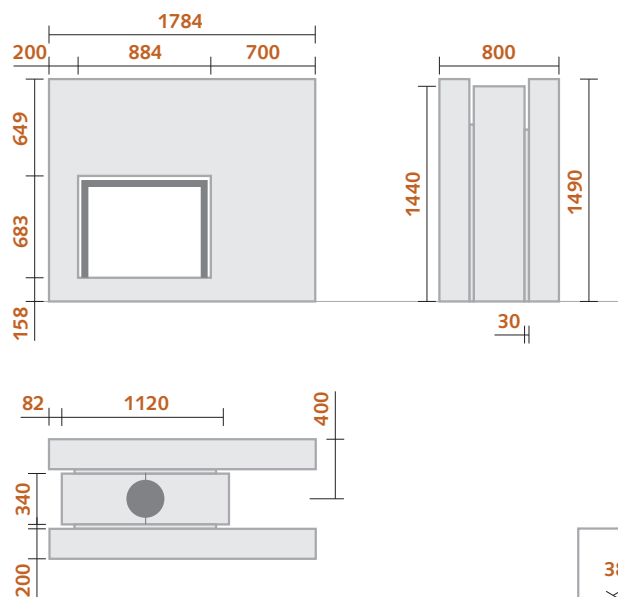


DF 1

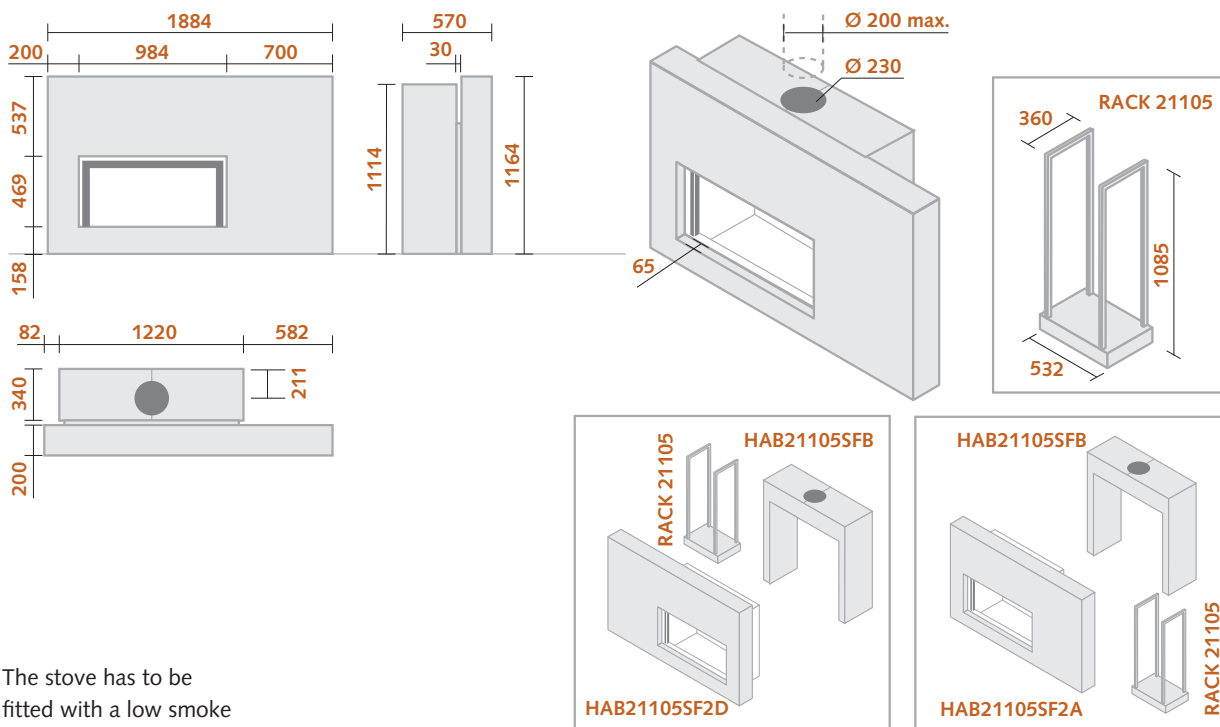
«Tailor-made» option



DF 2



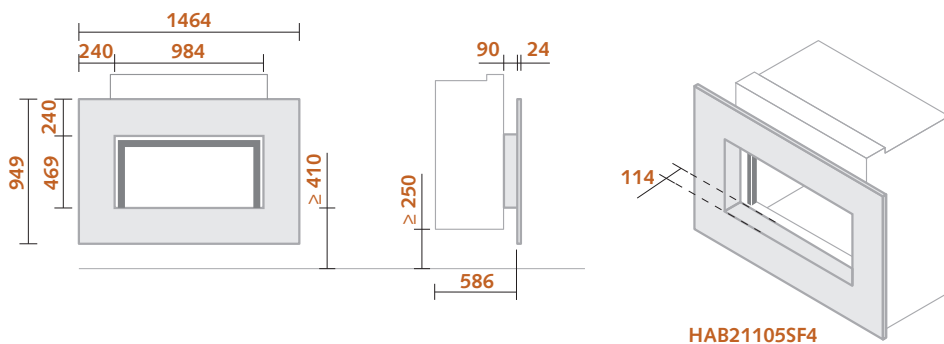
## SF 2



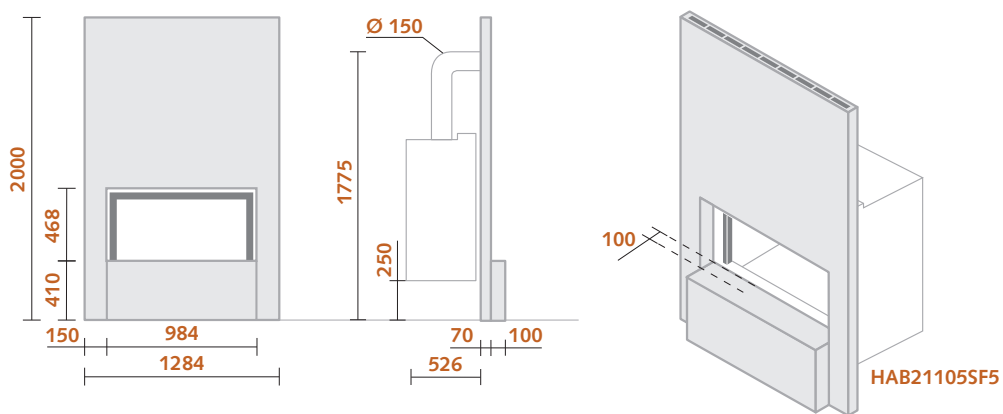
The stove has to be fitted with a low smoke outlet.



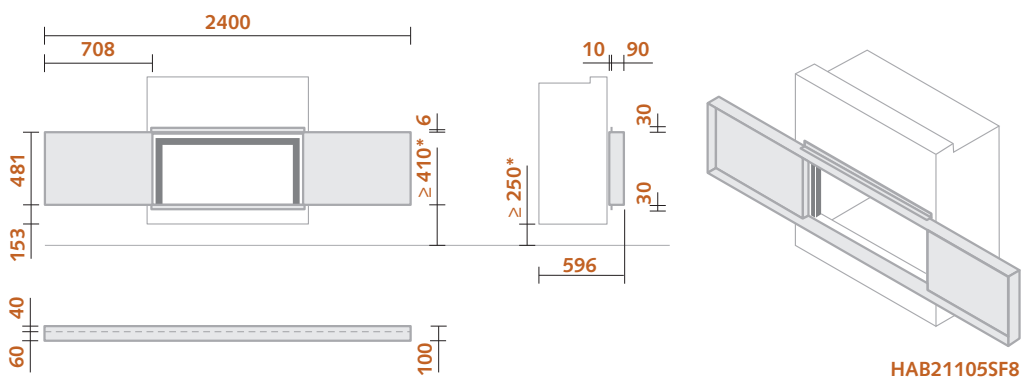
SF 4



SF 5

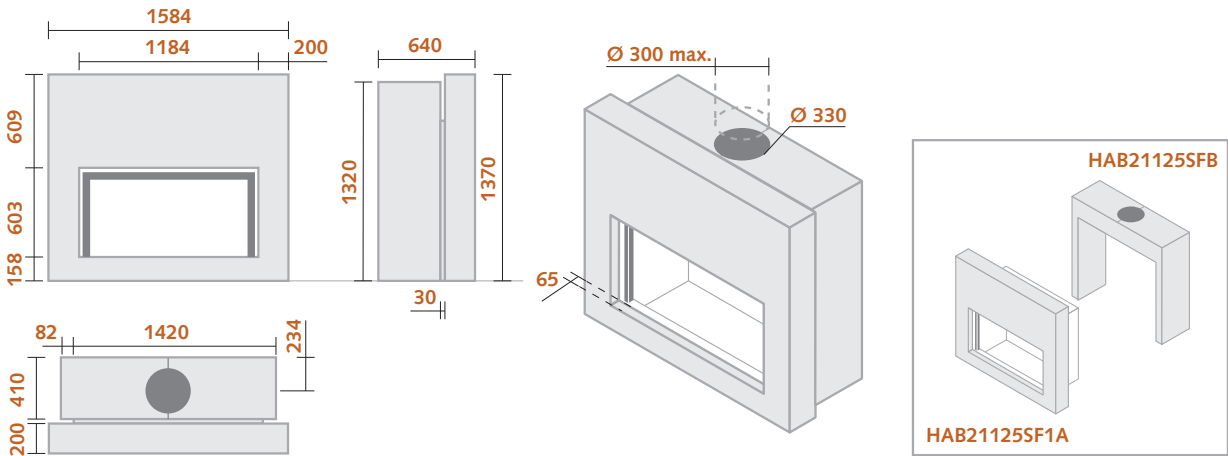


SF 8

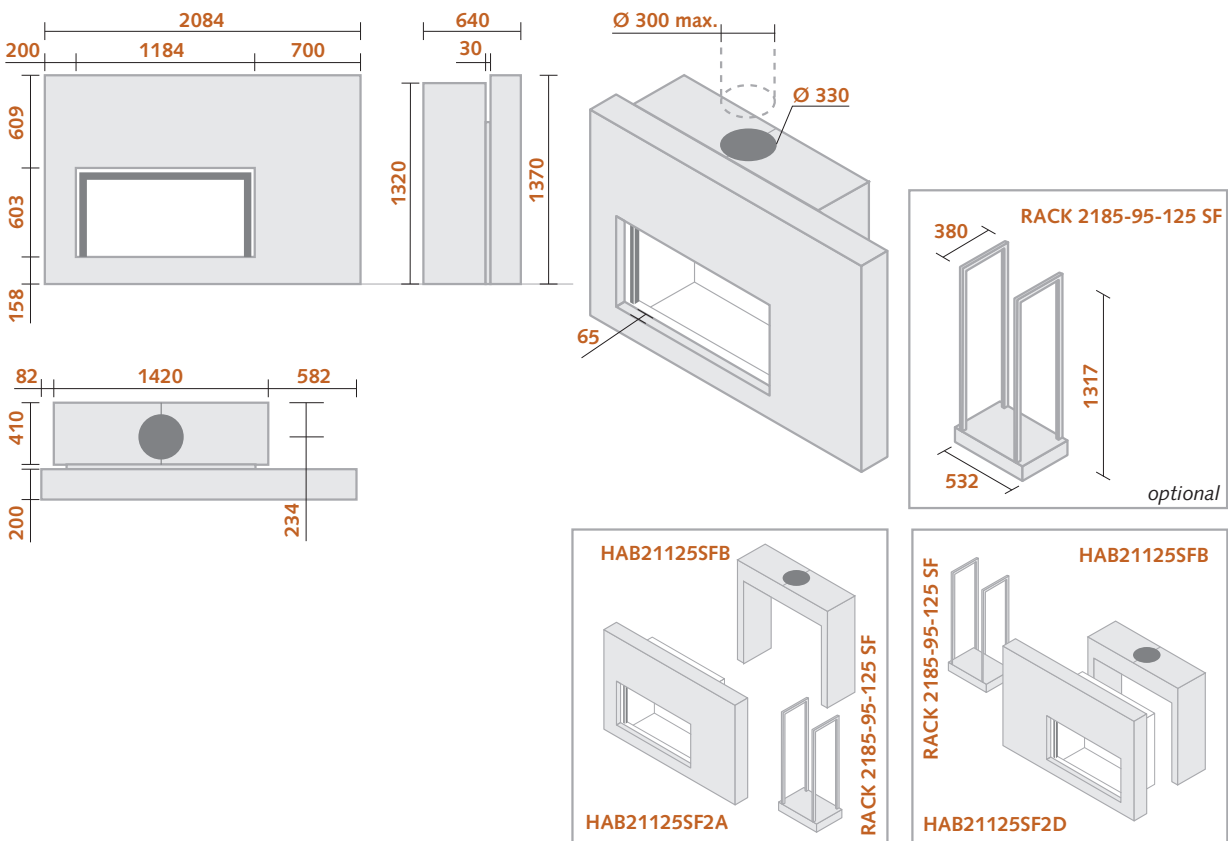


\*Minimum height for installing a ventilator under the stove

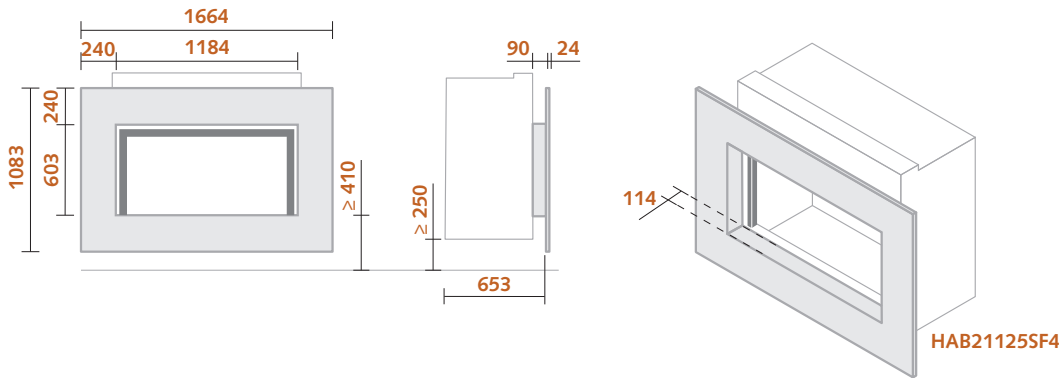
## SF 1



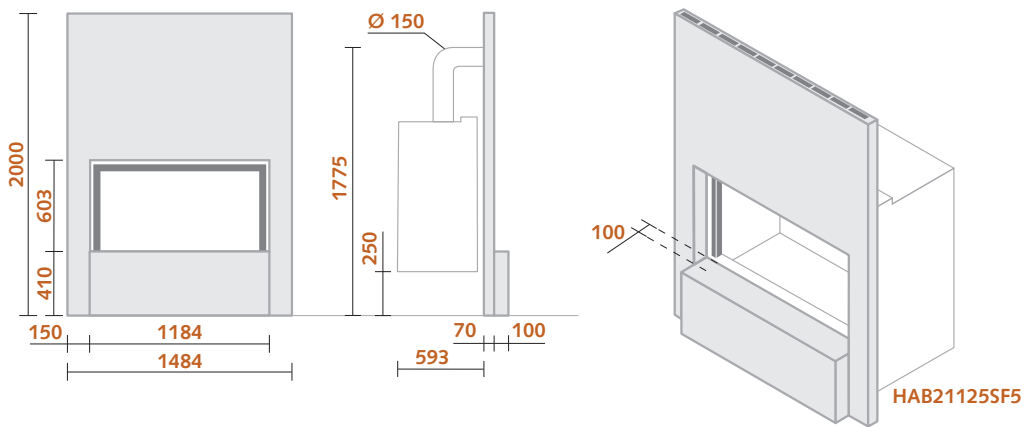
## SF 2



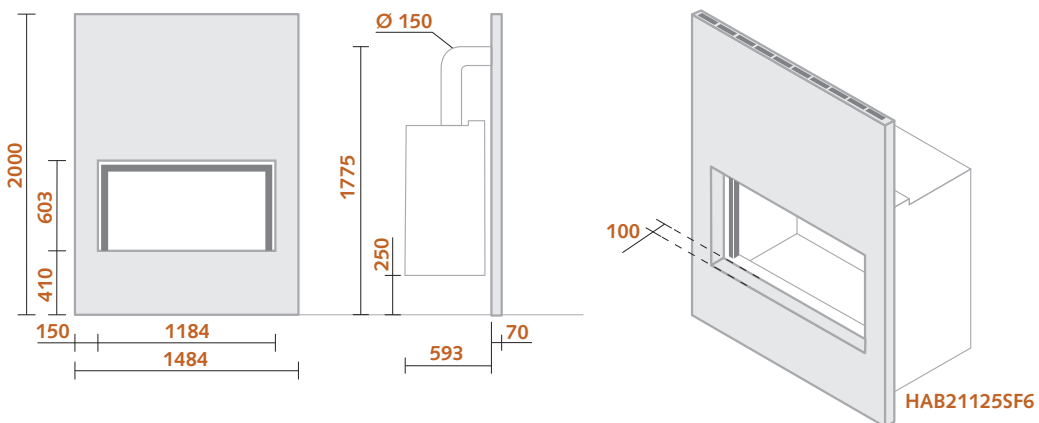
SF 4



SF 5

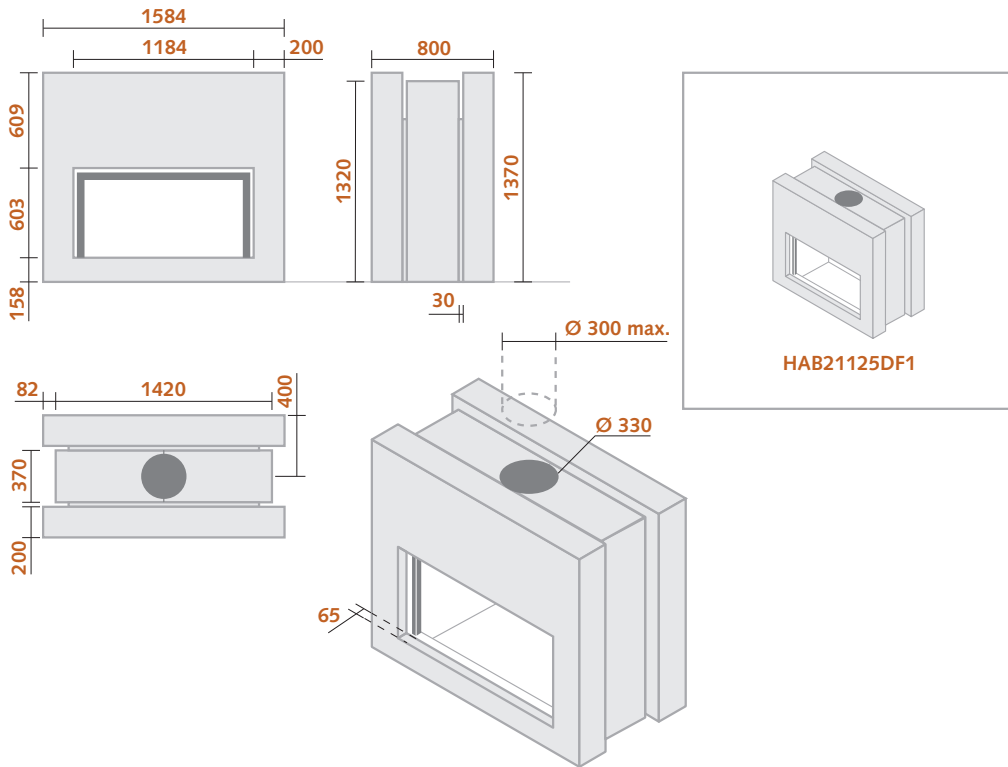


SF 6

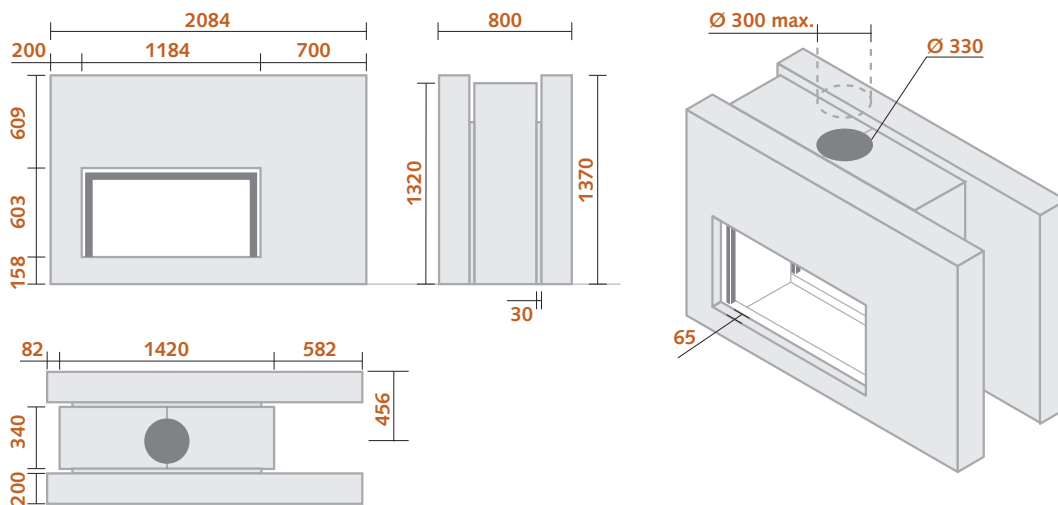


## DF 1

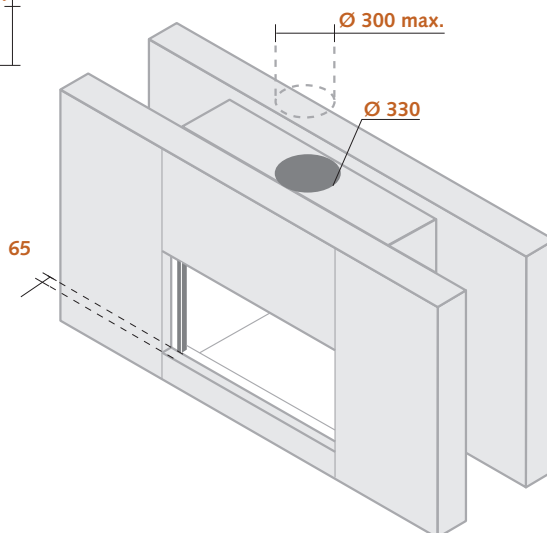
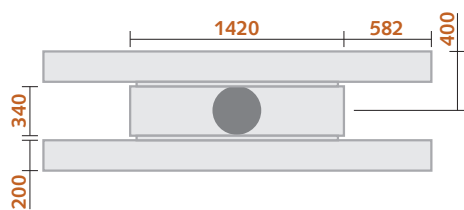
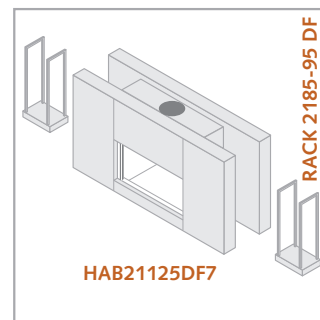
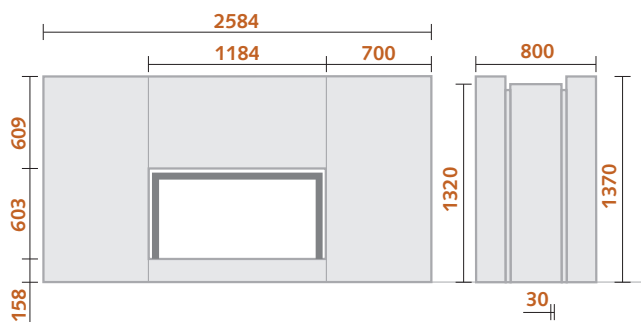
«Tailor-made» option



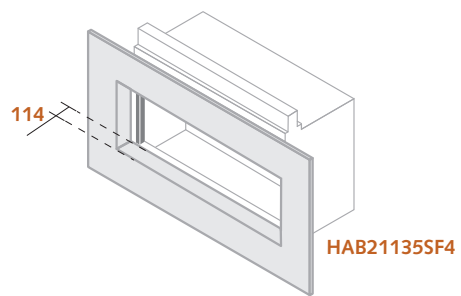
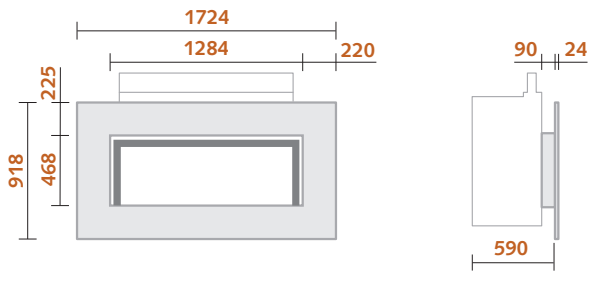
## DF 2



DF 7

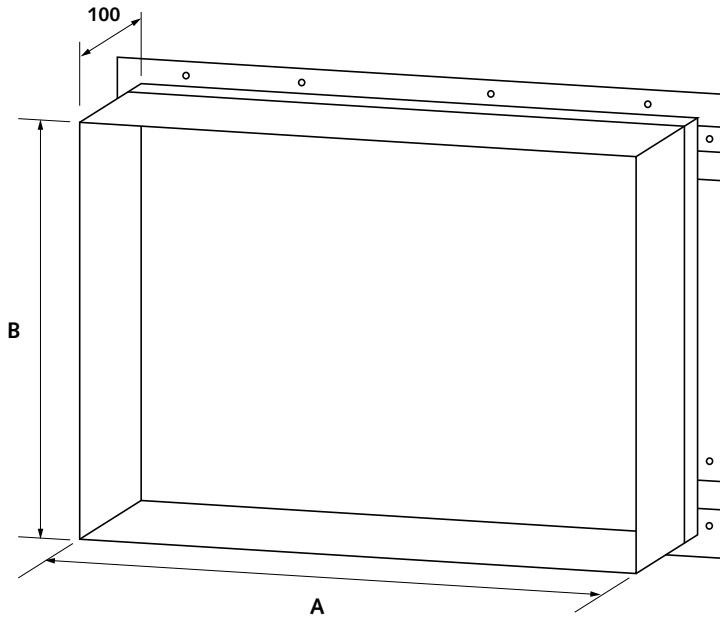


SF 4



# 21 - frame | thin frame STUV

## DIMENSIONS OF THE THIN FRAME



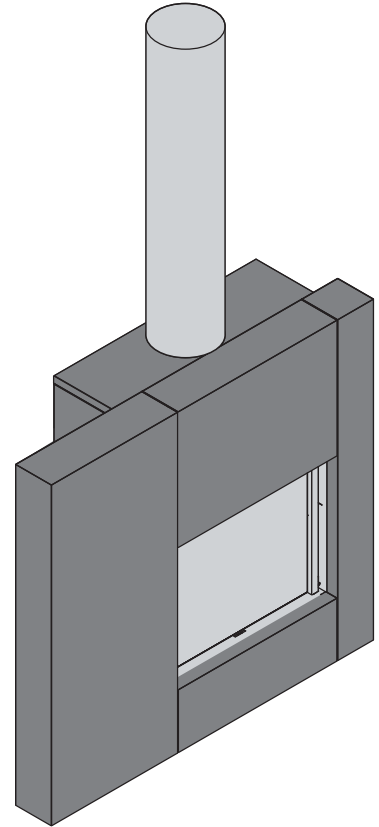
DIMENSIONS	21/65H	21/75	21/85	21/95	21/105	21/125	21/135
THICKNESS	4mm	4mm	4mm	4mm	4mm	4mm	4mm
DEPTH	100mm	100mm	100mm	100mm	100mm	100mm	100mm
A	584mm	684mm	784mm	884mm	984mm	1184mm	1284mm
B	683mm	524mm	603mm	683mm	468mm	603mm	468mm



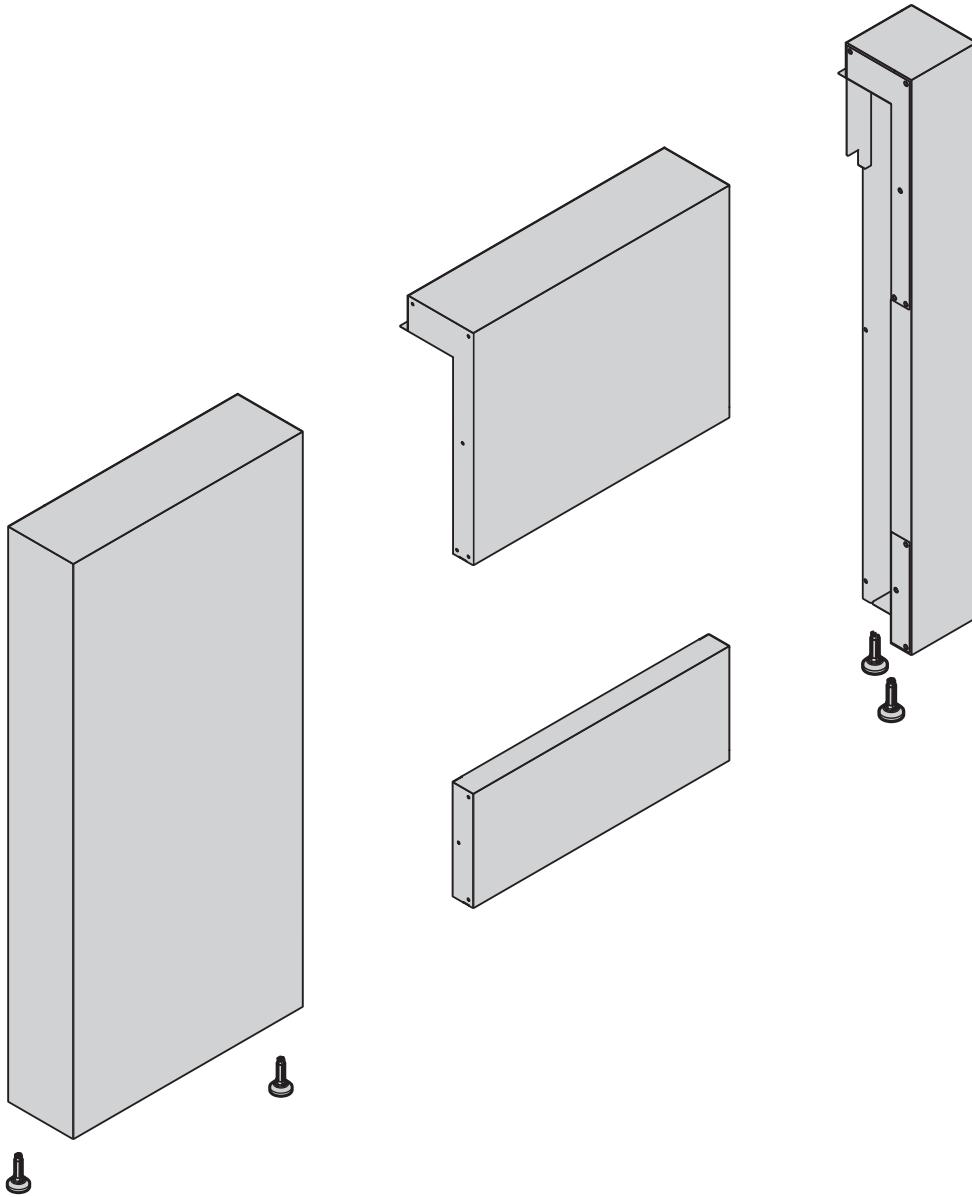
## 21 - claddings | Façade

stûv

<b>Stûv identity</b>	The cladding shows off the fire, subtle design
<b>Ease-of-use thanks to the integration of functions</b>	Storage and transport of logs, integration of convection air inlets and outlets, option of connection to external air inlet
<b>Integration into the architecture</b>	Partial de-housing of the system, open spatial layout,
<b>Facilitated installation</b>	Ideal where there is no niche to fit the stove into the wall, reduction of finishing work time, the stove can be lit directly upon project completion, moveable
<b>Presentation aid</b>	In the showroom and at the dealer
<b>Source of inspiration</b>	✓
<b>Various finishing options</b>	Rust, 19 chromatic shades

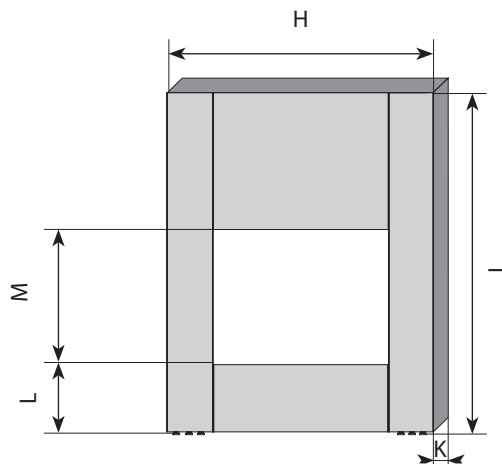






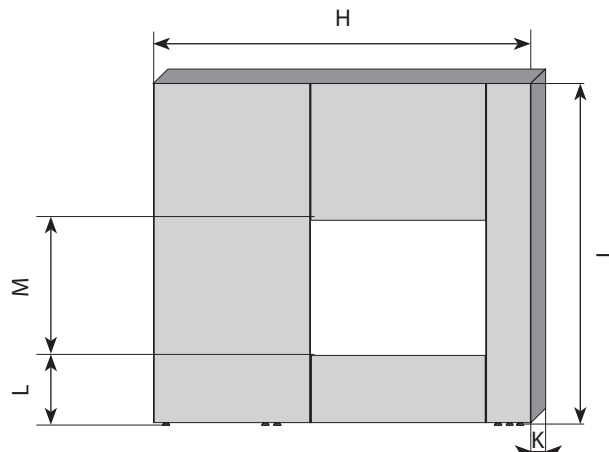
## DIMENSIONS OF THE FACADES

## SF1 AIR

DIMENSIONS  
SF1

	21/75	21/85	21/95
H	1084mm	1184mm	1284mm
I	1430mm	1530mm	1650mm
L	300mm	300mm	300mm
M	524mm	603mm	683mm
K	200mm	200mm	200mm

## SF2 AIR

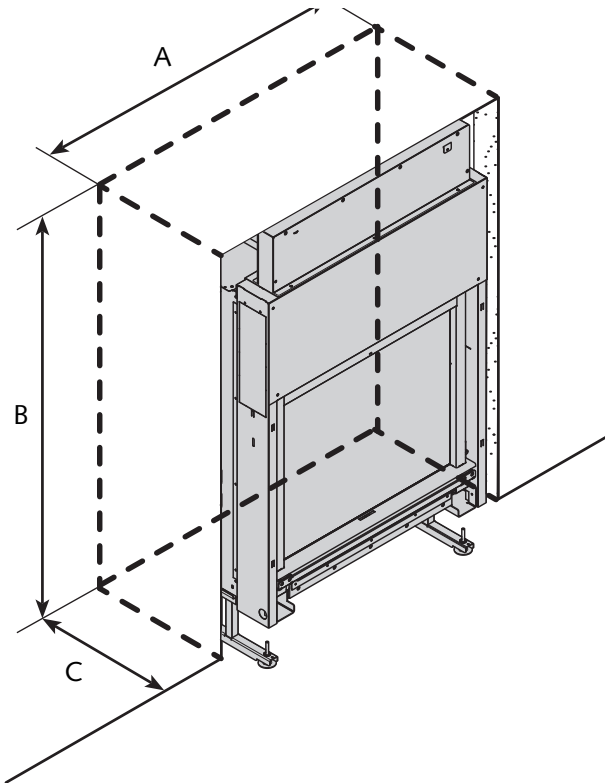
DIMENSIONS  
SF2 AIR

	21/75	21/85	21/95	21/105
H	1584mm	1685mm	1784mm	1884mm
I	1430mm	1530mm	1650mm	1325mm
L	300mm	300mm	300mm	300mm
M	524mm	603mm	683mm	469mm
K	200mm	200mm	200mm	200mm

# 21 - claddings | Façade



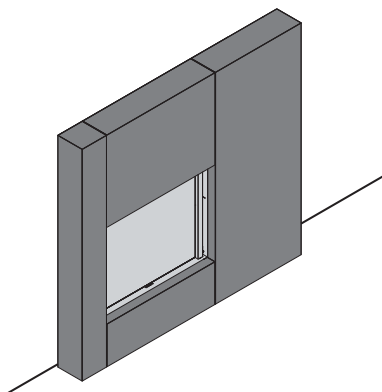
## DIMENSIONS OF THE RECESS



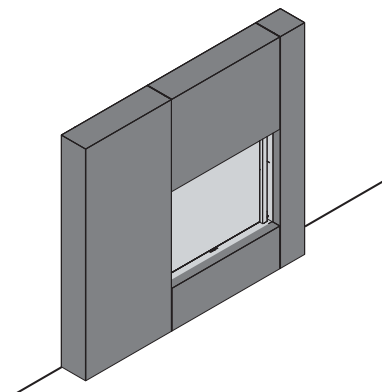
DIMENSIONS	21/75	21/85	21/95	21/105
A (MAX)	920mm	1020mm	1120mm	1220mm
B (MAX)	1380mm	1480mm	1600mm	1275mm
C (MINI)	355mm	420mm	455mm	340mm

## CONFIGURATIONS

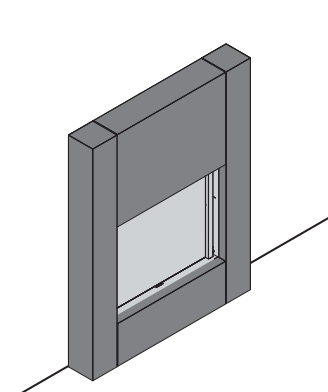
ASYMMETRICAL RIGHT



ASYMMETRICAL LEFT



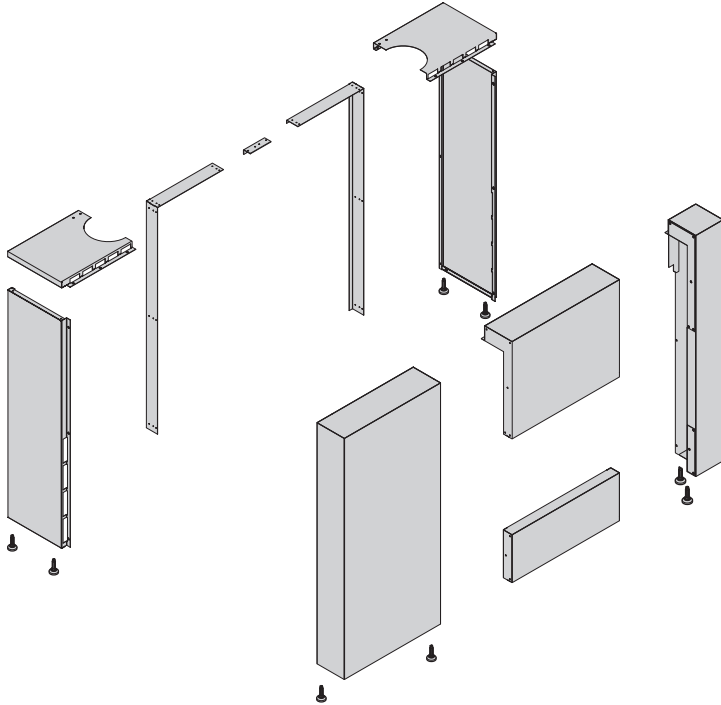
SYMMETRICAL STRAIGHT



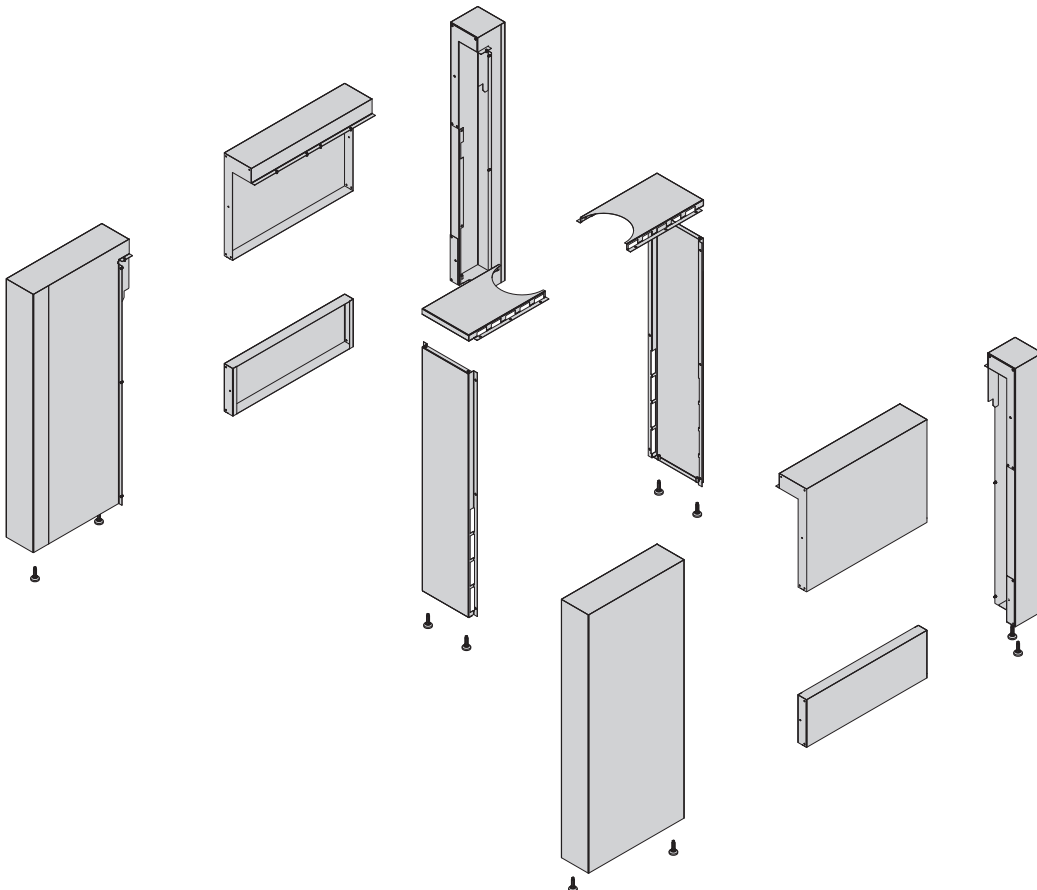
# 21 - claddings | Ready-to-fit



## SF - SINGLE-FACED



## DF - DOUBLE-FACED

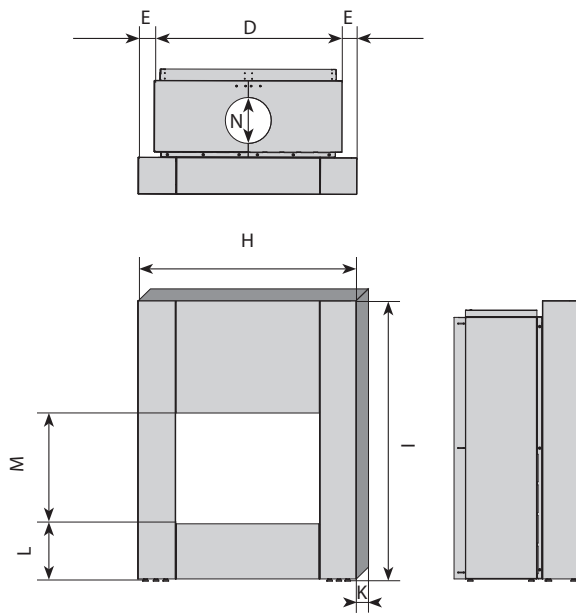


## 21 - claddings | Ready-to-fit



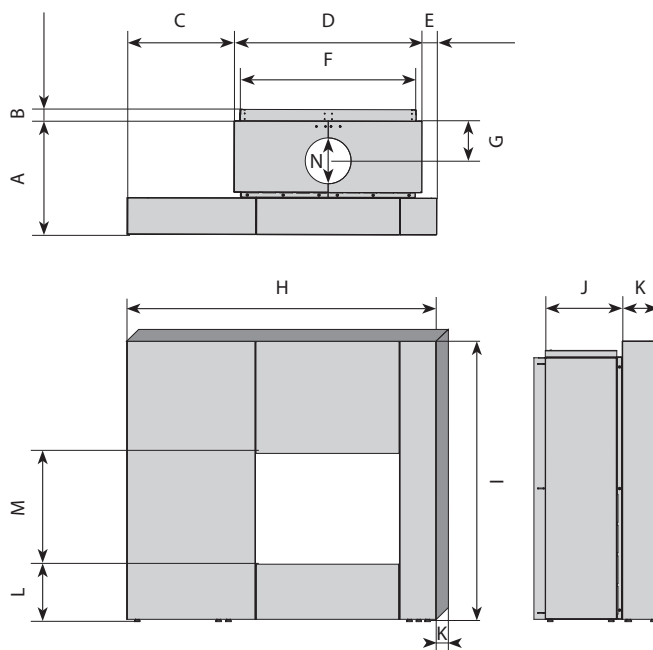
## DIMENSIONS OF THE READY-TO-FIT MODEL SINGLE-FACED

SF1



DIMENSIONS	21/75	21/85	21/95
D	920mm	1020mm	1120mm
E	82mm	82mm	82mm
H	1084mm	1184mm	1284mm
I	1430mm	1530mm	1650mm
J	1084mm	1184mm	1284mm
L	300mm	300mm	300mm
M	524mm	603mm	683mm
N	250mm	250mm	250mm

SF2



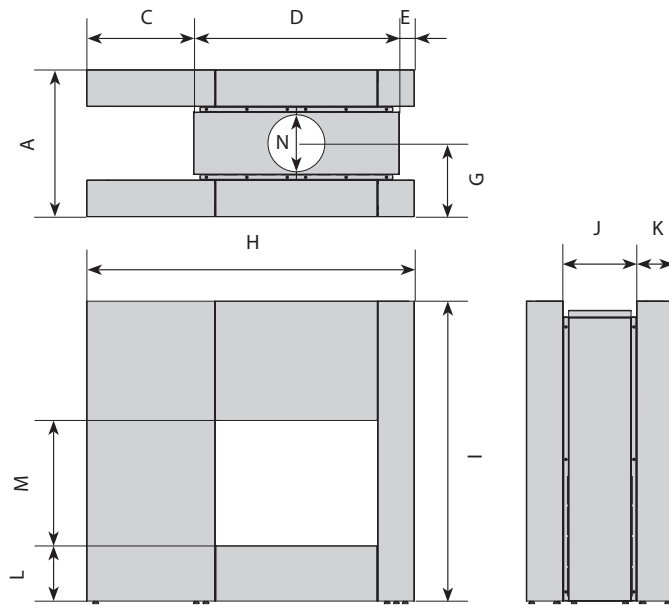
DIMENSIONS	21/75	21/85	21/95	21/105
A	555mm	620mm	655mm	540mm
B*	0, 12, 43, 62mm			
C	582mm	582mm	582mm	582mm
D	920mm	1020mm	1120mm	1220mm
E	82mm	82mm	82mm	82mm
F	855mm	955mm	1055mm	1155mm
G**	215mm	215mm	215mm	215mm
H	1584mm	1685mm	1784mm	1884mm
I	1430mm	1530mm	1650mm	1325mm
J	355mm	420mm	455mm	340mm
K	200mm	200mm	200mm	200mm
L	300mm	300mm	300mm	300mm
M	524mm	603mm	683mm	469mm
N	200mm	200mm	200mm	200mm

\* The four measurements correspond to four possible positions. This measurement is determined by the nature of the insulating material stipulated by the applicable legislation.  
 \*\* If necessary, add values from B to G to determine the space between the centre of the smoke outlet and the partition.

# 21 - claddings | Ready-to-fit

## DIMENSIONS OF THE READY-TO-FIT MODEL DOUBLE-FACED

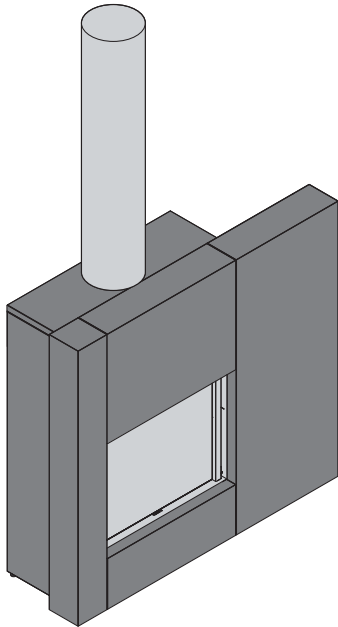
DF2



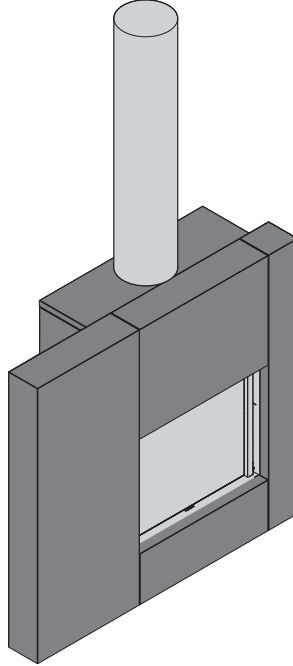
DIMENSIONS	21/75	21/85	21/95
A	800 mm	800 mm	800 mm
C	582 mm	582 mm	582 mm
D	920 mm	1020 mm	1120 mm
E	82 mm	82 mm	82 mm
G	400 mm	400 mm	400 mm
H	1584 mm	1685 mm	1784 mm
I	1430 mm	1530 mm	1650 mm
J	340 mm	340 mm	340 mm
K	200 mm	200 mm	200 mm
L	300 mm	300 mm	300 mm
M	584 mm	603 mm	683 mm
N	250 mm	250 mm	250 mm

## CONFIGURATIONS SINGLE-FACED

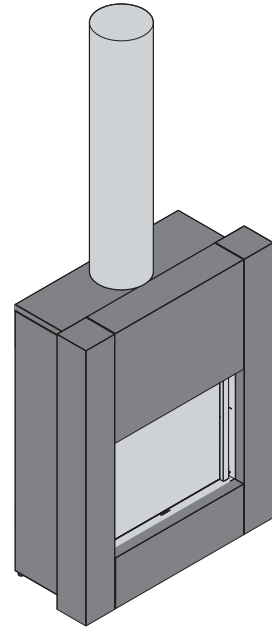
ASYMMETRICAL RIGHT



ASYMMETRICAL LEFT

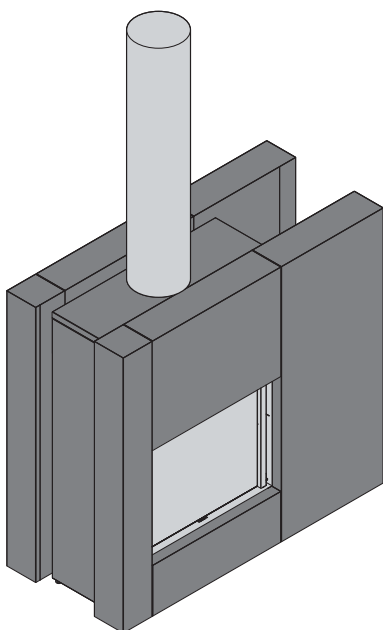


SYMMETRICAL STRAIGHT



## CONFIGURATIONS DOUBLE-FACED

ASYMMETRICAL RIGHT



ASYMMETRICAL LEFT

