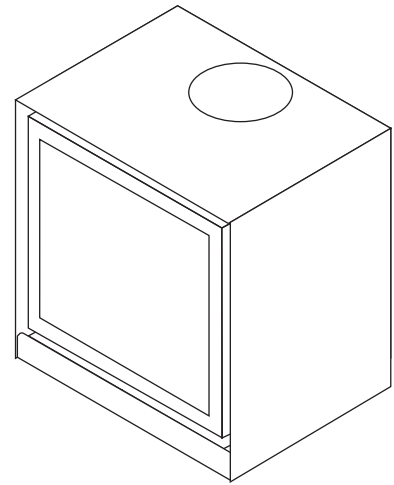


## 16/58-cube | The stove

stûv

<b>appearance</b>	compact and subtle design can be placed on the ground, on a brickwork base or on a Stûv base
<b>ergonomics</b>	accessibility to all mechanisms
<b>high efficiency</b>	
<b>economical</b>	low wood consumption
<b>low pollutant levels</b>	low emission of CO and fine particles
<b>air-tightness</b>	++
<b>for traditional and energy-efficient homes</b>	✓



## TECHNICAL SPECIFICATIONS

## GENERAL

TYPE OF SYSTEM	stove
MATERIALS	steel + vermiculite
COLOUR	Stûv grey
LOADING	manual
FUEL	wood
POSITION OF LOGS	horizontal
LENGTH OF LOGS	40 cm

## WEIGHT / DIMENSIONS

WEIGHT	105 kg
Ø OF SMOKE DUCT	180 mm
HOT-AIR OUTLET	front
Ø OUTSIDE AIR INLET	63 mm

## PERFORMANCE

OUTPUT	7 kW
USAGE RANGE	5-8 kW
EFFICIENCY	78%
CO EMISSIONS	0.09%
FINE PARTICLE EMISSIONS	11 mg/Nm <sup>3</sup>
RANGE OF WOOD CONSUMPTION	1.4 - 2.3 kg/h
MINIMUM DRAW	12 Pa
SMOKE MASS FLOW	7 g/s
AVERAGE SMOKE TEMPERATURE	283 °C
CONSUMPTION OF AIR FOR COMBUSTION	18.6 m <sup>3</sup> /h
ENERGY EFFICIENCY INDEX (EEI)	104
ENERGY EFFICIENCY CLASS	A

## ACCESSORIES / EQUIPMENT

ACCUMULATION	X
CUPBOARD	X
BARBECUE	X
ASHTRAY	X
CONVECTION	✓
FAÇADE	X
OPEN FIRE	X
MOBILOBOX	○
GROUND PLATE	X
READY-TO-FIT	X
LOG RACK	✓
ROTARY FUNCTION	X
BASE	✓
FAN	○
RETRACTABLE GLASS	X

## AIR

DIRECT OUTSIDE INLET	✓
CONTROL OF PRIMARY AIR	✓
CONTROL OF SECONDARY AIR	✓
POST-COMBUSTION	✓
AIR-TIGHTNESS	++
OPERATION WITHOUT FAN	✓
OVERHEATING INDICATOR	X

## MINIMUM SAFETY DISTANCE FROM ADJACENT COMBUSTIBLE MATERIALS

BACK FACE	35 cm
SIDE FACE	25 cm
UPPER FACE	-
INSIDE FACE	0 cm

## LEGEND

✓	STANDARD
X	UNAVAILABLE
○	OPTIONAL

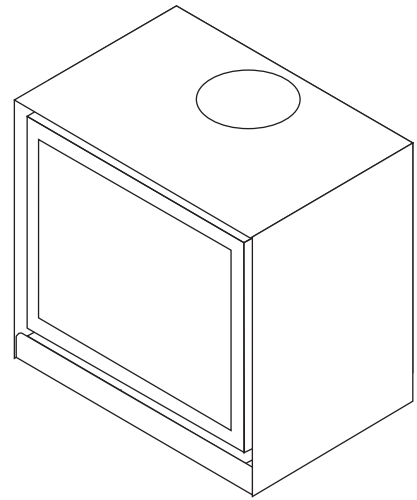
according to:  
- OPair (CH)  
- BE Phase 3  
- BImSchV2 (DE)  
- ECODESIGN 2022



## 16/68-cube | The stove

stûv

<b>appearance</b>	compact and subtle design can be placed on the ground, on a brickwork base or on a Stûv base
<b>ergonomics</b>	accessibility to all mechanisms
<b>high efficiency</b>	
<b>economical</b>	low wood consumption
<b>low pollutant levels</b>	low emission of CO and fine particles
<b>air-tightness</b>	++
<b>for traditional and energy-efficient homes</b>	✓



## TECHNICAL SPECIFICATIONS

## GENERAL

TYPE OF SYSTEM	stove
MATERIALS	steel + vermiculite
COLOUR	Stûv grey
LOADING	manual
FUEL	wood
POSITION OF LOGS	horizontal
LENGTH OF LOGS	50 cm

## WEIGHT / DIMENSIONS

WEIGHT	113 kg
Ø OF SMOKE DUCT	180 mm
HOT-AIR OUTLET	front
Ø OUTSIDE AIR INLET	63 mm

## PERFORMANCE

OUTPUT	7.5 kW
USAGE RANGE	5-9 kW
EFFICIENCY	77%
CO EMISSIONS	0.10%
FINE PARTICLE EMISSIONS	19 mg/Nm <sup>3</sup>
RANGE OF WOOD CONSUMPTION	1.5 - 2.6 kg/h
MINIMUM DRAW	12 Pa
SMOKE MASS FLOW	7.9 g/s
AVERAGE SMOKE TEMPERATURE	301 °C
CONSUMPTION OF AIR FOR COMBUSTION	20.8 m <sup>3</sup> /h
ENERGY EFFICIENCY INDEX (EEI)	103
ENERGY EFFICIENCY CLASS	A

## ACCESSORIES / EQUIPMENT

ACCUMULATION	X
CUPBOARD	X
BARBECUE	X
ASHTRAY	X
CONVECTION	✓
FAÇADE	X
OPEN FIRE	X
MOBILOBOX	○
GROUND PLATE	X
READY-TO-FIT	X
LOG RACK	✓
ROTARY FUNCTION	X
BASE	✓
FAN	○
RETRACTABLE GLASS	X

## AIR

DIRECT OUTSIDE INLET	✓
CONTROL OF PRIMARY AIR	✓
CONTROL OF SECONDARY AIR	✓
POST-COMBUSTION	✓
AIR-TIGHTNESS	++
OPERATION WITHOUT FAN	✓
OVERHEATING INDICATOR	X

## MINIMUM SAFETY DISTANCE FROM ADJACENT COMBUSTIBLE MATERIALS

BACK FACE	30 cm
SIDE FACE	15 cm
UPPER FACE	-
INSIDE FACE	0 cm

## LEGEND

✓	STANDARD
X	UNAVAILABLE
○	OPTIONAL

according to:  
- OPair (CH)  
- BE Phase 3  
- BImSchV2 (DE)  
- ECODESIGN 2022



## 16/78-cube | The stove

stuv

## appearance

compact and subtle design  
can be placed on the ground,  
on a brickwork base or on a Stuv base

## ergonomics

accessibility to all mechanisms

## high efficiency

## economical

low wood consumption

## low pollutant levels

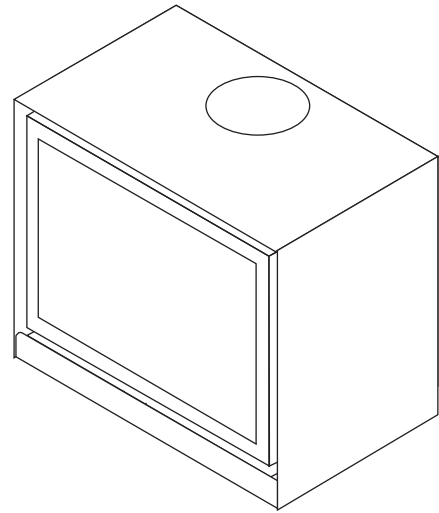
low emission of CO and fine particles

## air-tightness

++

for traditional and  
energy-efficient homes

✓



## TECHNICAL SPECIFICATIONS

## GENERAL

TYPE OF SYSTEM	stove
MATERIALS	steel + vermiculite
COLOUR	Stuv grey
LOADING	manual
FUEL	wood
POSITION OF LOGS	horizontal
LENGTH OF LOGS	60 cm

## WEIGHT / DIMENSIONS

WEIGHT	121 kg
Ø OF SMOKE DUCT	180 mm
HOT-AIR OUTLET	front
Ø OUTSIDE AIR INLET	63 mm

## AIR

DIRECT OUTSIDE INLET	✓
CONTROL OF PRIMARY AIR	✓
CONTROL OF SECONDARY AIR	✓
POST-COMBUSTION	✓
AIR-TIGHTNESS	++
OPERATION WITHOUT FAN	✓
OVERHEATING INDICATOR	✗

## PERFORMANCE

OUTPUT	8 kW
USAGE RANGE	6-10 kW
EFFICIENCY	75%
CO EMISSIONS	0,09%
FINE PARTICLE EMISSIONS	13 mg/Nm <sup>3</sup>
RANGE OF WOOD CONSUMPTION	1.8 - 3.0 kg/h
MINIMUM DRAW	12 Pa
SMOKE MASS FLOW	8.8 g/s
AVERAGE SMOKE TEMPERATURE	318 °C
CONSUMPTION OF AIR FOR COMBUSTION	23,5 m <sup>3</sup> /h
ENERGY EFFICIENCY INDEX (EEI)	100
ENERGY EFFICIENCY CLASS	A

MINIMUM SAFETY DISTANCE  
FROM ADJACENT COMBUSTIBLE  
MATERIALS

BACK FACE	30 cm
SIDE FACE	15 cm
UPPER FACE	-
INSIDE FACE	0 cm

## ACCESSORIES / EQUIPMENT

ACCUMULATION	✗
CUPBOARD	✗
BARBECUE	✗
ASHTRAY	✗
CONVECTION	✓
FAÇADE	✗
OPEN FIRE	✗
MOBILOBOX	○
GROUND PLATE	✗
READY-TO-FIT	✗
LOG RACK	✓
ROTARY FUNCTION	✗
BASE	✓
FAN	○
RETRACTABLE GLASS	✗

## LEGEND

✓	STANDARD
✗	UNAVAILABLE
○	OPTIONAL

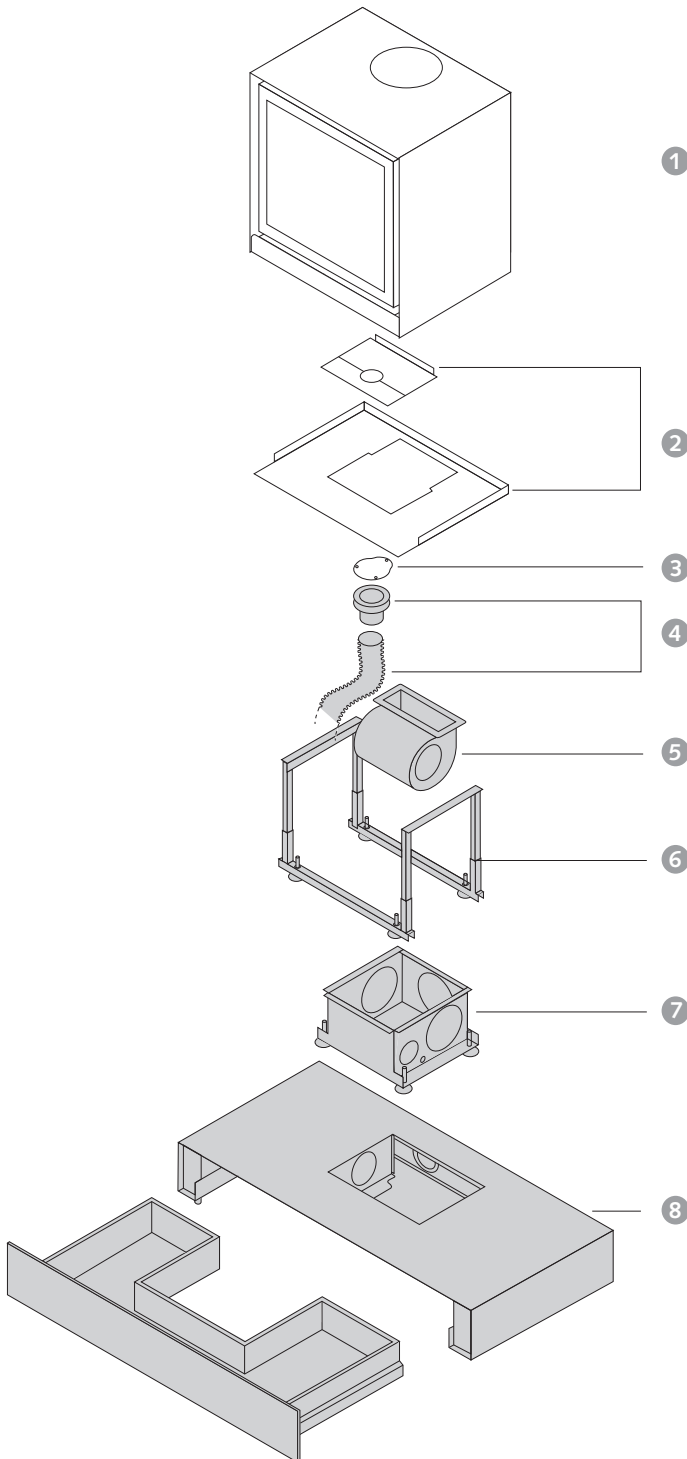
according to:  
- OPair (CH)  
- BE Phase 3  
- BImSchV2 (DE)  
- ECODESIGN 2022



# 16-cube | The stove



## THE BASIC STOVE AND ITS OPTIONAL FEATURES



1

2

3

4

5

6

7

8

1. Fireplace

2. Support plate

3. Cable outlet

4. Outside air intake kit:  
flue outlet + Ø 63 mm flexible tubing (3 m)

5. Fan

6. Adjustable support table

7. Ventilation chamber

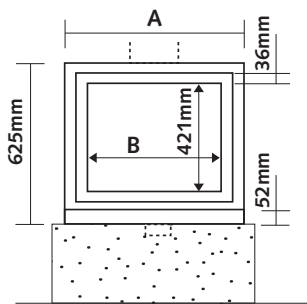
8. Base for stove fitted with a fan,  
an outside air connection or both.  
A simpler model is available for  
stoves without a fan and without  
an outside air connection

# 16-cube | The stove

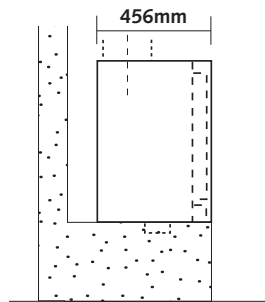


## DIMENSIONS OF THE STOVE WITHOUT FAN

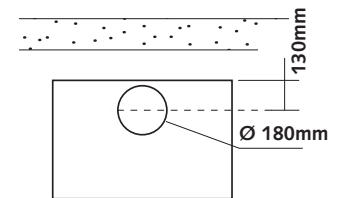
VIEW FROM FRONT



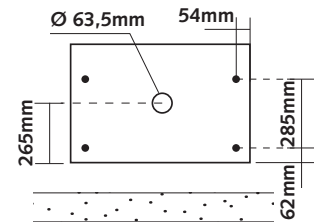
VIEW FROM BELOW



VIEW FROM ABOVE

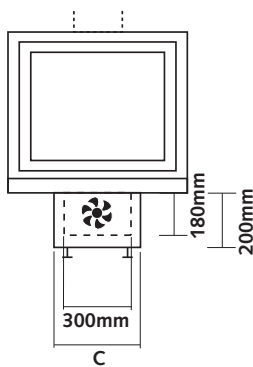


VIEW FROM BEHIND

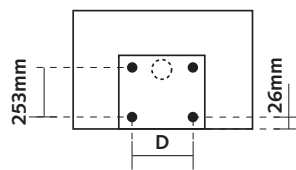


## DIMENSIONS OF THE STOVE WITH FAN

VIEW FROM FRONT



VIEW FROM BEHIND

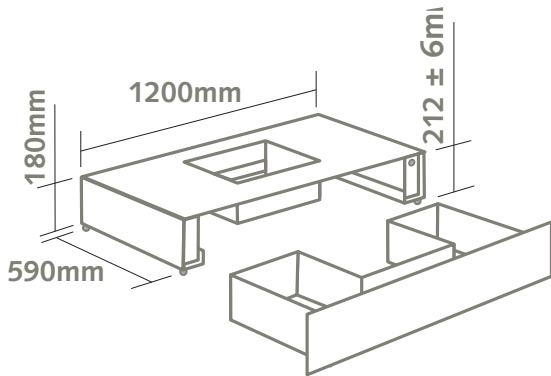


DIMENSIONS	A	B	C	D
16/58-cube	580 mm	448 mm	340 mm	288 mm
16/68-cube	680 mm	548 mm	540 mm	512 mm
16/78-cube	780 mm	648 mm	540 mm	512 mm

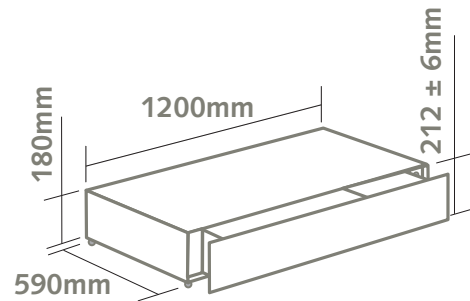
# 16-cube | Accessories



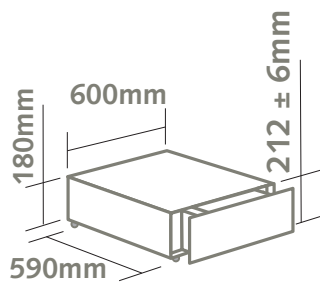
**BASE WITH U-SHAPED DRAWER - 120CM**



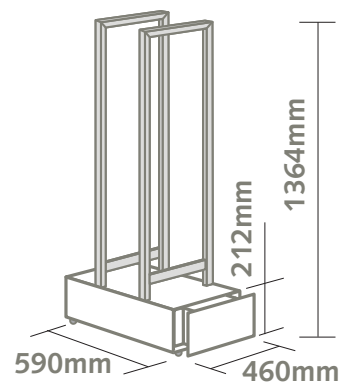
**BASE WITH DRAWER - 120CM**



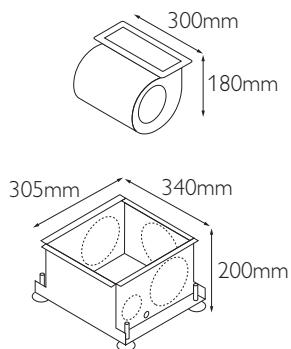
**BASE WITH DRAWER - 60CM**



**MOBILE LOG RACK (FOR 25 TO 50 CM LOGS)**



**16/58-CUBE FAN KIT (FAN + VENTILATION CHAMBER)**



**16/68-CUBE & 16/78-CUBE FAN KIT (FAN + VENTILATION CHAMBER)**

